**READ ME !** 

Thank you for purchasing a Front Runner Suzuki Jimny (2018-Current) Ladder.

Before you start, take a moment to familiarize yourself with the Fitting Instructions and the components received.

Refer to Page 2 for a list of all the components, quantities and tools required.

IMPORTANT WARNING! 

IT IS CRITICAL THAT ALL FRONT RUNNER PRODUCTS BE PROPERLY AND SECURELY ASSEMBLED AND ATTACHED TO YOUR VEHICLE. IMPROPER ATTACHMENT COULD RESULT IN AN AUTOMOBILE ACCIDENT, AND COULD CAUSE SERIOUS BODILY INJURY OR DEATH. YOU ARE RESPONSIBLE FOR ASSEMBLING AND SECURING ALL FRONT RUNNER PRODUCTS TO YOUR VEHICLE, CHECKING THE ATTACHMENTS PRIOR TO USE, AND PERIODICALLY INSPECTING THE PRODUCTS FOR ADJUSTMENT, WEAR AND DAMAGE. THEREFORE, YOU MUST READ AND UNDERSTAND ALL OF THE INSTRUCTIONS AND PRECAUTIONS SUPPLIED WITH YOUR FRONT RUNNER PRODUCT PRIOR TO INSTALLATION OR USE. IF YOU DO NOT UNDERSTAND ALL OF THE INSTRUCTIONS AND CAUTIONS, OR IF YOU HAVE NO MECHANICAL EXPERIENCE AND ARE NOT THOROUGHLY FAMILIAR WITH THE INSTALLATION PROCEDURES, YOU SHOULD HAVE THE PRODUCT INSTALLED BY A PROFESSIONAL INSTALLER OR OTHER QUALIFIED PERSONNEL.

NOTE: Front Runner will not be responsible for any damage caused by the failure to install the product according to these instructions.

Please call us if you have any questions about the installation of this product.

1

GET ORGANIZED

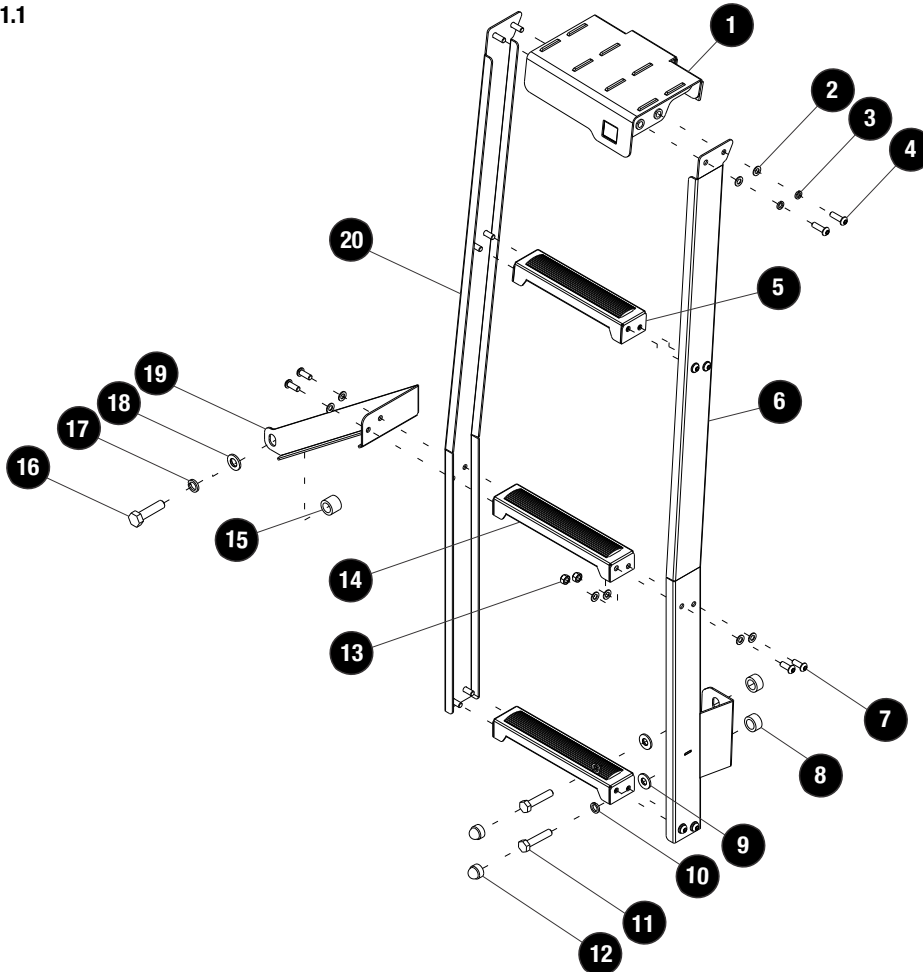
IN THE BOX

1	1 X	Ladder Top Assembly
2	28 X	M6 Flat Washer
3	4 X	M6 Spring Washer
4	4 X	M6 x 20 Button Head Screw
5	1 X	Angled Ladder Rung
6	1 X	Right Hand Ladder Side
7	12 X	M6 x 16 Button Head Screw
8	2 X	10mm Spacer
9	2 X	M8 Flat Washer
10	2 X	M8 Spring Washer
11	2 X	M8 x 40 Hex Screw
12	2 X	M8 Nut Cap
13	12 X	M6 Nyloc Nut
14	2 X	Straight Ladder Rung
15	1 X	15mm Spacer
16	1 X	M10 x 40 x 1.25 Hex Bolt
17	1 X	M10 Spring Washer
18	1 X	M10 Flat Washer
19	1 X	Ladder Support Arm
20	1 X	Left Hand Ladder Side

TOOLS NEEDED

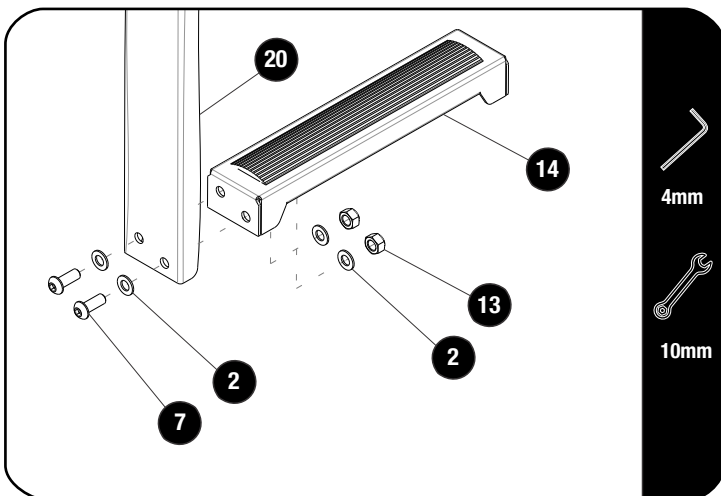


FIGURE 1.1



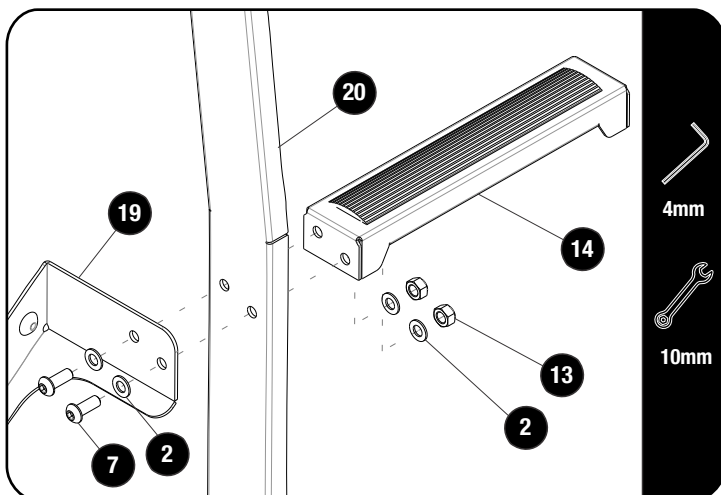
2**PREPARE**

2.1



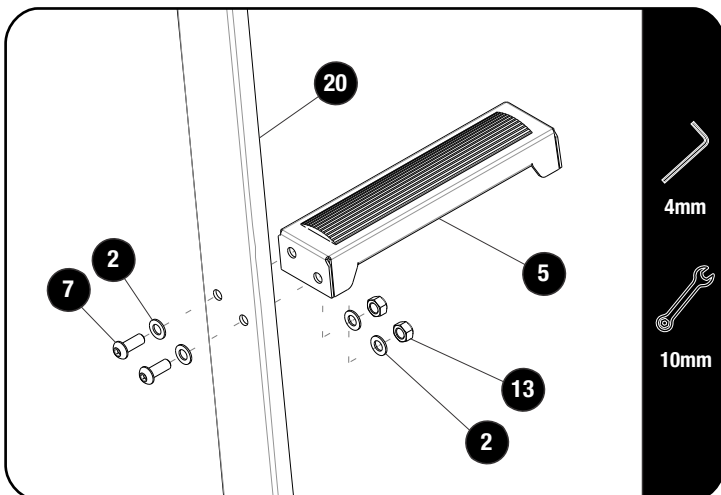
Secure 1 of 2 Straight Ladder Rungs (Item 14) to the Left Hand Ladder Side (Item 20) using two M6x16 Button Head Screws, four M6 Flat Washers and two M6 Nyloc Nuts (Item 7, 2 & 13).

2.2



Secure 2 of 2 Straight Ladder Rungs (Item 14) and the Ladder Support Arm (Item 19) to the Left Hand Ladder Side (Item 20) using two M6x16 Button Head Screws, four M6 Flat Washers and two M6 Nyloc Nuts (Item 7, 2 & 13).

2.3

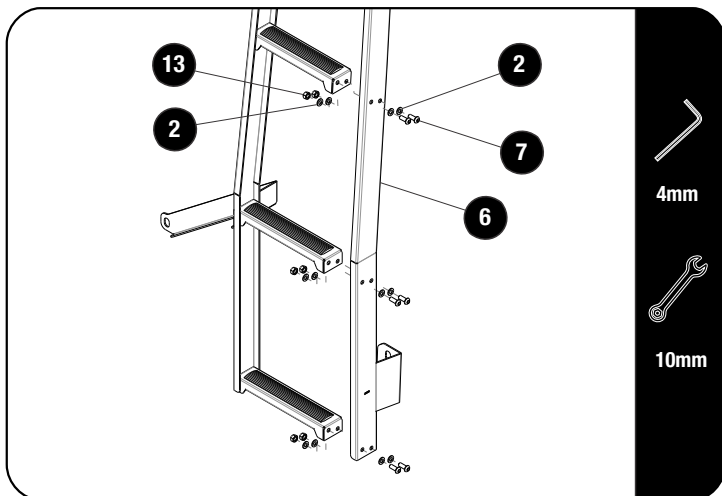


Secure the Angled Ladder Rung (Item 5) to the Left Hand Ladder Side (Item 20) using two M6x16 Button Head Screws, four M6 Flat Washers and two M6 Nyloc Nuts (Item 7, 2 & 13).

2

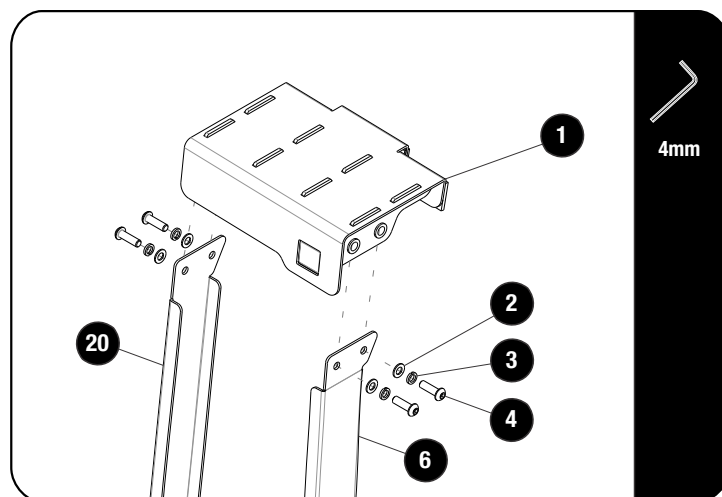
PREPARE

2.4



Secure the Right Hand Ladder Side (Item 6) to the already secured Ladder Rungs using six M6x16 Button Head Screws, twelve M6 Flat Washers and six M6 Nyloc Nuts (Item 7, 2 & 13).

2.5



Secure the Ladder Top Assembly (Item 1) between the Ladder Sides (Item 6 & 20) using four M6x20 Button Head Screws, four M6 Spring Washers and four M6 Flat Washers (Item 4, 3 & 2).

3

FIT AND SECURE

3.1



Remove the spare wheel from the spare wheel carrier.



Loosen and remove the bottom, right hand screw of the spare wheel carrier.

3.2

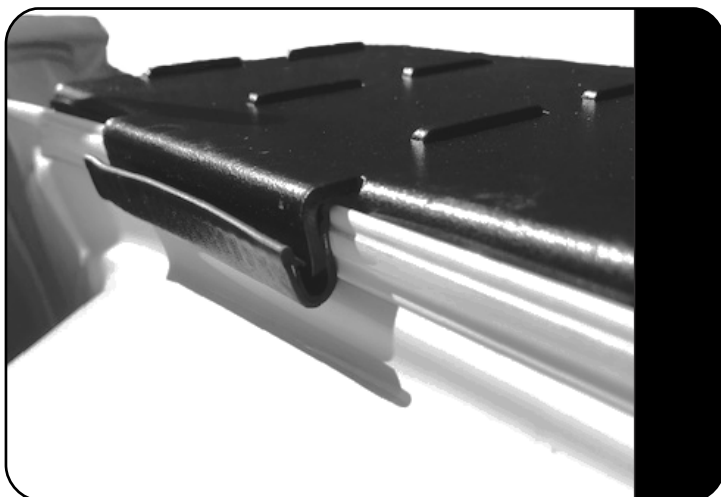


Unclip and remove the bottom hinge cover.



Loosen and remove the two hinge screws.

3.3



Carefully open the rear door. Do not let the rear door swing open.

Hook the top of the Ladder over the top edge on the right hand side of the door and align the Ladder mounting slots with the hinge bolt holes.

3**FIT AND SECURE****3.4**

Insert the two 10mm Spacers (Item 8) between the Hinge and the Ladder. Guide the M8x40 Hex Bolt with a M8 Spring Washer and M8 Flat Washer through each mounting slot and spacer and loosely tighten (Item 16, 15 & 14).

3.5

Insert the 15mm Spacer (Item 15) between the spare wheel carrier and the Ladder Support Arm (Item 6). Guide the M10x40x1.25 Hex Bolt with an M10 Spring Washer and an M10 Flat Washer through the mounting slot and spacer and loosely tighten (Item 19, 18 & 17).

3.6

Fully tighten the Screws in 3.4 and 3.5. Finishing off by placing M8 Nut Caps (Item 12) on the M8x40 Hex Screw heads in 3.4. Refit the spare wheel to the spare wheel carrier.

4

FINISH

Congratulations! You did it. Take a step back and admire your work!

5

INSTALL OTHER VEHICLE AND RACK ACCESSORIES

Now's the time to visit your favorite Front Runner Dealer in person or online.

Be sure to tag us. We love to see our gear in action! #FrontRunnerOutfitters #BornToRoam

Share your adventures on: 