

START HERE!

READ ME FIRST

Don't be a hero and muscle through this installation without reading these fitting instructions first! Improper installation of this gear may void certain aspects of your warranty.

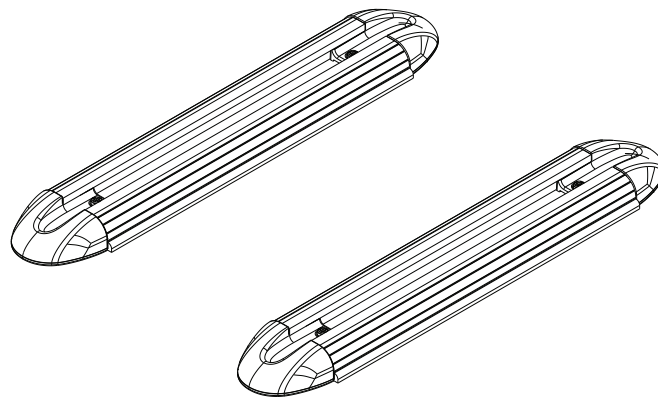
Before you begin, take a moment and open all your Front Runner rack kit boxes and gather the assembly instructions for the various components.

A complete kit will contain:

1. A Front Runner Mounting System specific to your vehicle
2. A Front Runner Rack Tray or Load Bar Slats

This document will guide you through the assembly of the mounting system and assist you in fitting the roof rack tray or load bars to your specific vehicle.

Please refer to the next page for a list of all the components, quantities and tools required.



IMPORTANT WARNING! ⚠

IT IS CRITICAL THAT ALL FRONT RUNNER PRODUCTS BE PROPERLY AND SECURELY ASSEMBLED AND ATTACHED TO YOUR VEHICLE. IMPROPER ATTACHMENT COULD RESULT IN AN AUTOMOBILE ACCIDENT, AND COULD CAUSE SERIOUS BODILY INJURY OR DEATH. YOU ARE RESPONSIBLE FOR ASSEMBLING AND SECURING ALL FRONT RUNNER PRODUCTS TO YOUR VEHICLE, CHECKING THE ATTACHMENTS PRIOR TO USE, AND PERIODICALLY INSPECTING THE PRODUCTS FOR ADJUSTMENT, WEAR AND DAMAGE. THEREFORE, YOU MUST READ AND UNDERSTAND ALL OF THE INSTRUCTIONS AND PRECAUTIONS SUPPLIED WITH YOUR FRONT RUNNER PRODUCT PRIOR TO INSTALLATION OR USE. IF YOU DO NOT UNDERSTAND ALL OF THE INSTRUCTIONS AND CAUTIONS, OR IF YOU HAVE NO MECHANICAL EXPERIENCE AND ARE NOT THOROUGHLY FAMILIAR WITH THE INSTALLATION PROCEDURES, YOU SHOULD HAVE THE PRODUCT INSTALLED BY A PROFESSIONAL INSTALLER OR OTHER QUALIFIED PERSONNEL.

NOTE: Front Runner will not be responsible for any damage caused by the failure to install the product according to these instructions.

Please call us if you have any questions about the installation of this product.

1

GET ORGANIZED

IN THE BOX

1	2 X	Track
2	4 X	M3 x 6 Self Tapper Screw
3	4 X	Track End Cap
4	2 X	Protective Trim

TOOLS NEEDED

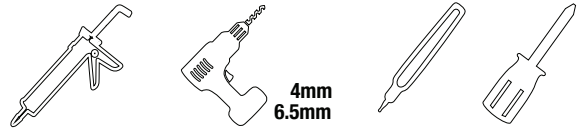
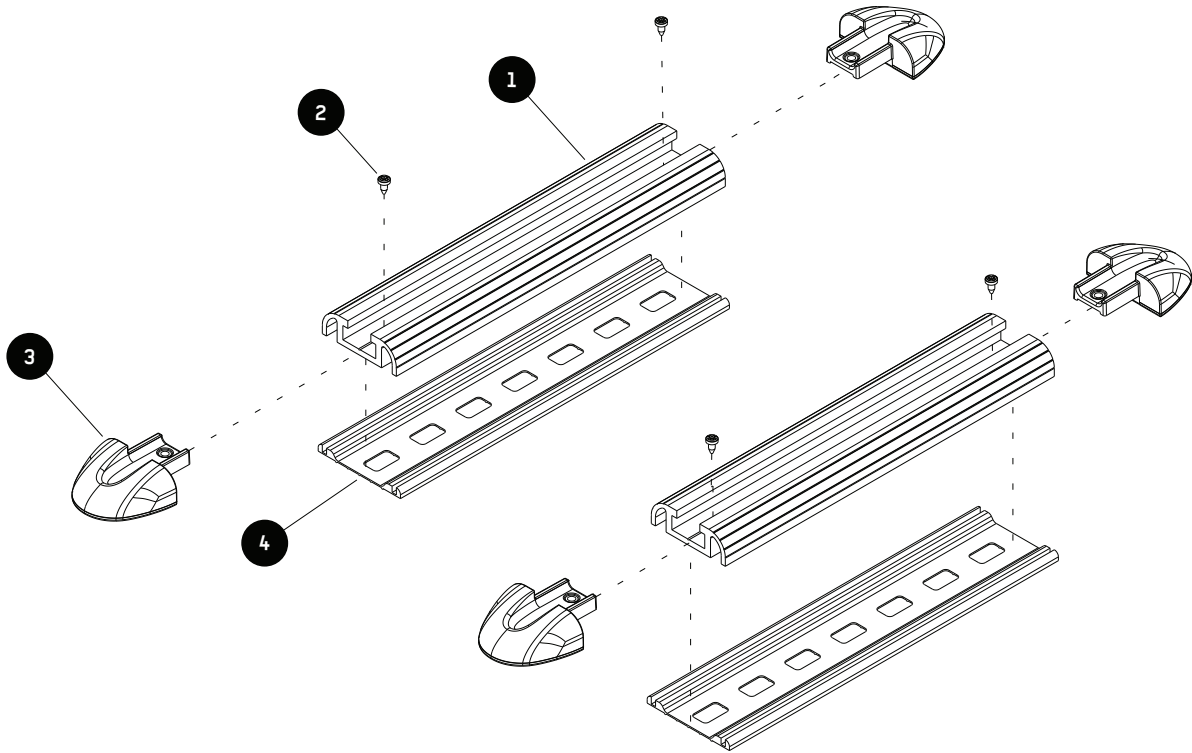
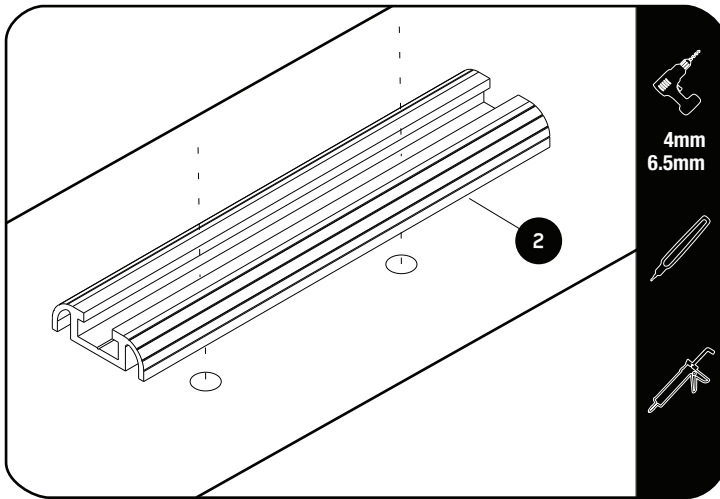


FIGURE 1.1



2**FIT AND SECURE TO ROOF**

2.1



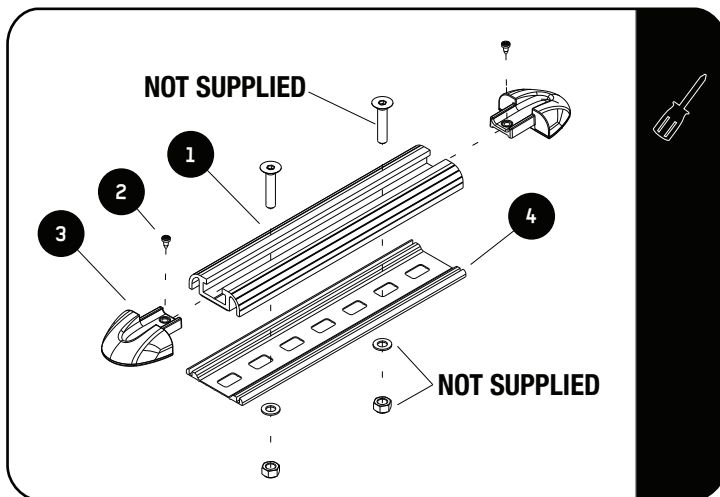
Determine the best possible position for mounting the Tracks (Item 1). Take care not to drill into or "through" any reinforcements.

Once happy with the placement of the track, mark all holes using a suitable marking pen in both the roof and tracks.

Drill a 4mm pilot hole on all the marks you have made. Open the pilot holes to 6.5mm.

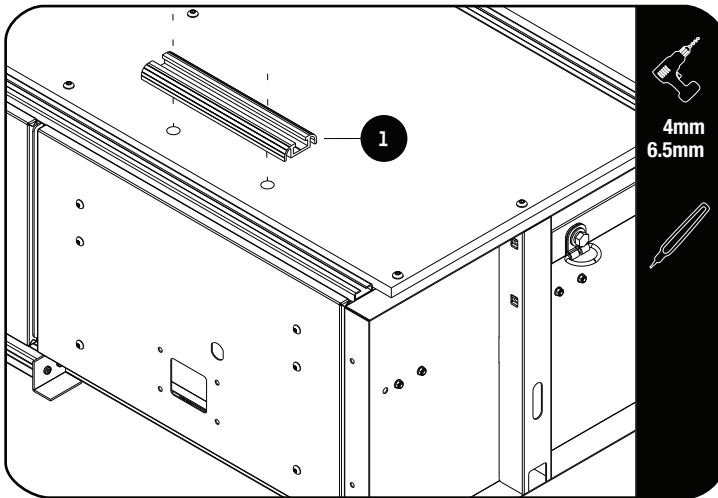
Place silicone sealant around each of the drilled holes.

2.2



Use suitable M6 Fixings (Not Supplied) to secure the Tracks (Item 1) to the roof. The Tracks and Protective Trim (Item 4) must be used on the roof.

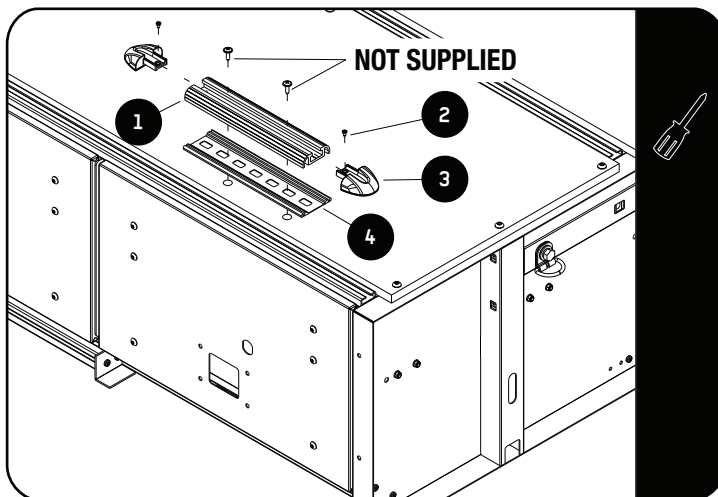
Install the Track End Caps (Item 3) using two M3 x 6 Self Tapper Screws (Item 2).

3**FIT AND SECURE TO DRAWER SYSTEM****3.1**

Determine the best possible position for mounting the Tracks (Item 1).

Once happy with the placement of the track, mark all holes using a suitable marking pen in both the roof and tracks.

Drill a 4mm pilot hole on all the marks you have made. Open the pilot holes to 6.5mm.

3.2

Use suitable M6 Wood Fixings (Not Supplied) to secure the Tracks (Item 1) to the Drawer System. The Tracks and Protective Trim (Item 4) must be used on the Drawer System.

Install the Track End Caps (Item 3) using two M3 x 6 Self Tapper Screws (Item 2).

4

COMPLETION

4.1

Congratulations! You did it. Take a step back and admire your work!



5

INSTALL OTHER VEHICLE AND RACK ACCESSORIES

Now's the time to visit your favorite Front Runner Dealer in person or online.

IMPORTANT!

FRONT RUNNER RACK KITS OFTEN HAVE A HIGHER LOAD RATING THAN THE VEHICLES THEY ARE MOUNTED TO. PLEASE REFER TO YOUR SPECIFIC VEHICLE MANUFACTURER FOR A RECOMMENDED ROOF RATING. FRONT RUNNER CANNOT BE RESPONSIBLE FOR IMPROPER LOADING BEYOND THE VEHICLE MANUFACTURER'S STATED LOAD CAPACITY.

Be sure to tag us. We love to see our gear in action! #FrontRunnerOutfitters #BornToRoam

Share your adventures on: 