



FRONT RUNNER
VEHICLE OUTFITTERS

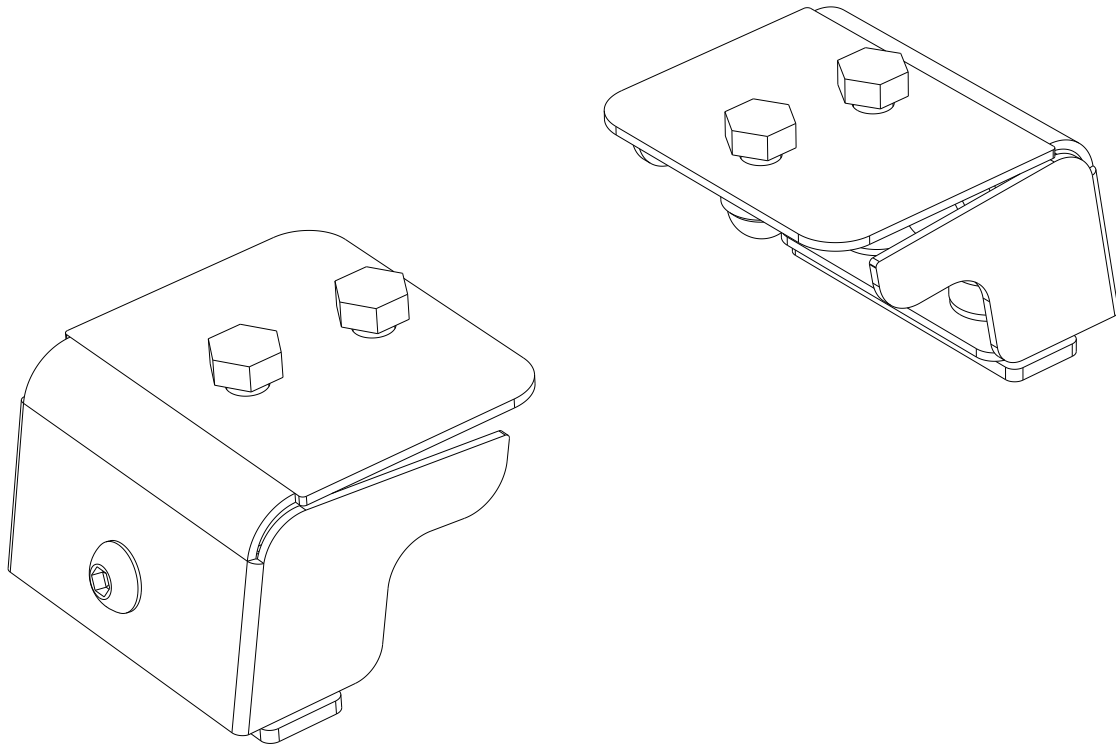
FOOT

(40MM - 50MM, 60MM - 70MM)

(ANGLED 65MM & ANGLED 75MM)

ENG

FASSUNI



READ ME !

Thank you for purchasing a Front Runner Foot Set.

Before you start, take a moment to familiarize yourself with the Fitting Instructions and the components received.

Refer to Page 2 for a list of all the components, quantities and tools required.

IMPORTANT WARNING!

IT IS CRITICAL THAT ALL FRONT RUNNER PRODUCTS BE PROPERLY AND SECURELY ASSEMBLED AND ATTACHED TO YOUR VEHICLE. IMPROPER ATTACHMENT COULD RESULT IN AN AUTOMOBILE ACCIDENT, AND COULD CAUSE SERIOUS BODILY INJURY OR DEATH. YOU ARE RESPONSIBLE FOR ASSEMBLING AND SECURING ALL FRONT RUNNER PRODUCTS TO YOUR VEHICLE, CHECKING THE ATTACHMENTS PRIOR TO USE, AND PERIODICALLY INSPECTING THE PRODUCTS FOR ADJUSTMENT, WEAR AND DAMAGE. THEREFORE, YOU MUST READ AND UNDERSTAND ALL OF THE INSTRUCTIONS AND PRECAUTIONS SUPPLIED WITH YOUR FRONT RUNNER PRODUCT PRIOR TO INSTALLATION OR USE. IF YOU DO NOT UNDERSTAND ALL OF THE INSTRUCTIONS AND CAUTIONS, OR IF YOU HAVE NO MECHANICAL EXPERIENCE AND ARE NOT THOROUGHLY FAMILIAR WITH THE INSTALLATION PROCEDURES, YOU SHOULD HAVE THE PRODUCT INSTALLED BY A PROFESSIONAL INSTALLER OR OTHER QUALIFIED PERSONNEL.

NOTE: Front Runner will not be responsible for any damage caused by the failure to install the product according to these instructions.

Please call us if you have any questions about the installation of this product.

1

GET ORGANIZED

IN THE BOX

1	2 X	Cover
2	2 X	Base
3	2 X	Stud Plate
4	4 X	M8 x 16 Hex Bolt
5	2 X	M8 x 16 Button Head Bolt
6	10 X	M8 x 16 x 1.6SS Flat Washer
7	10 X	M8 Nyloc Nut
8	10 X	M8 Nut Cap

TOOLS NEEDED

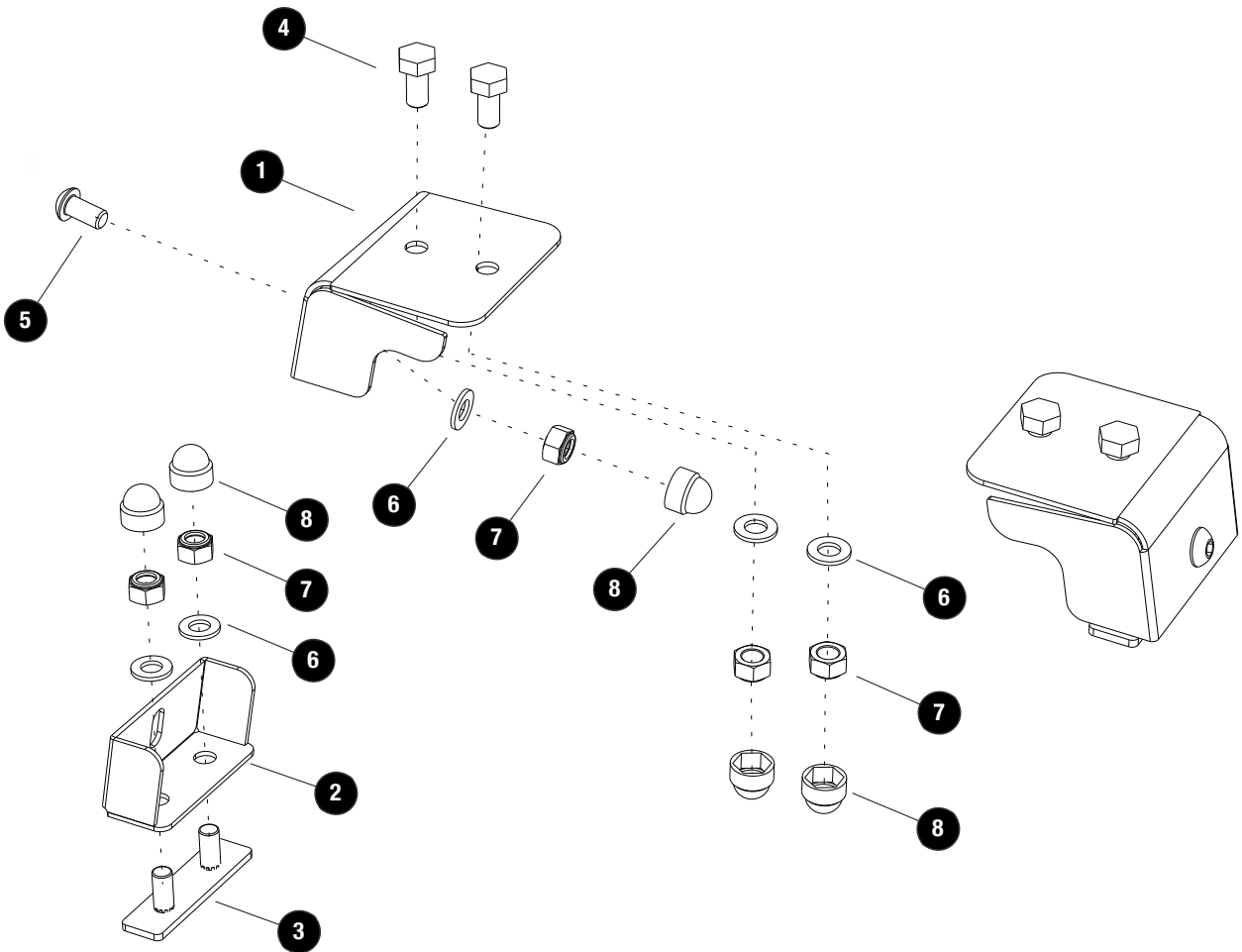


13MM



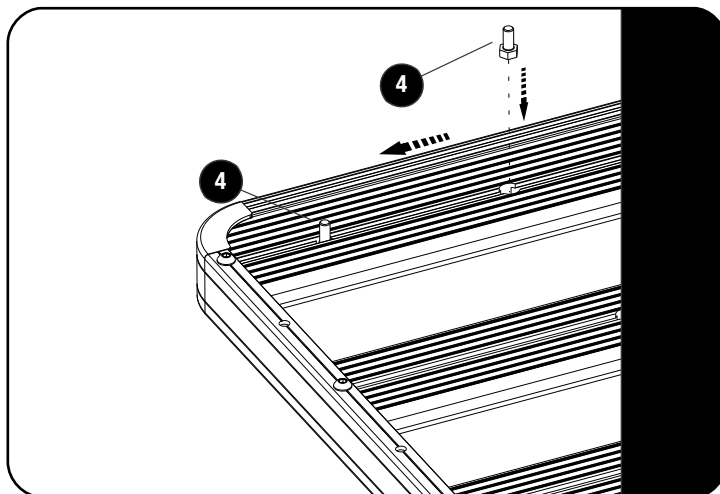
5mm

FIGURE 1.1



2**FIT AND SECURE**

2.1

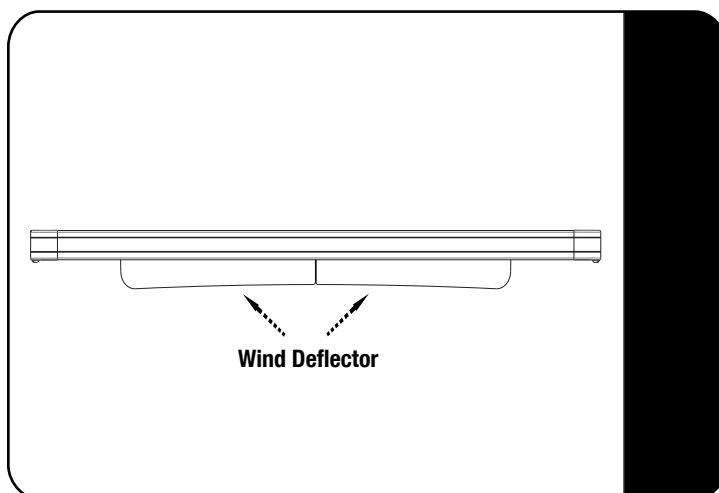


Place your Front Runner Roof Rack onto your vehicle and find the best position. The Rack should sit level to the ground, not the vehicles roof line. Or slanting slightly down toward the front.

Find the best position for the Feet, using the first or second Slat.

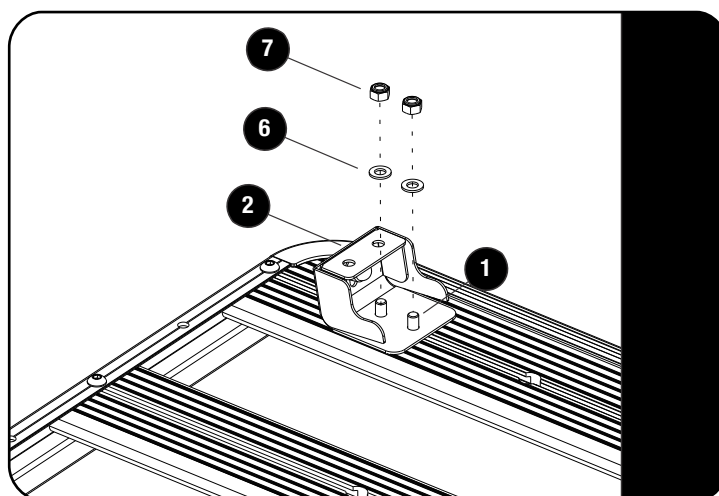
Flip the Rack so that the bottom of the Rack faces up. Insert two M8 x 16 Hex Bolts (Item 4) into the Slats machined slots that you have identified.

2.2



While your Rack is flipped make sure that the wind deflector is installed on the first slat.

2.3



Before fitting the Feet to the rack, remove the Stud Plates (Item 3). Refer to Figure 1.1.

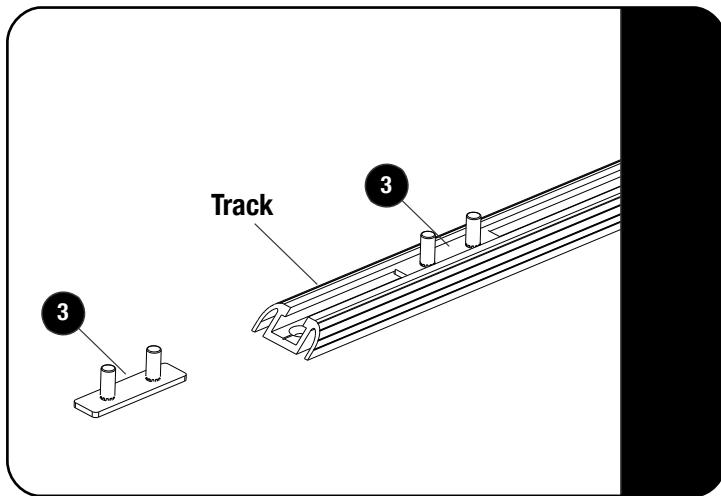
Loosely fit the Feet to the Rack using M8 x 16 x 1.6SS Flat Washers and M8 Nyloc Nuts (Items 6 & 7) as shown.

The fasteners will be fully tightened after the rack has been fitted to the vehicle.

2

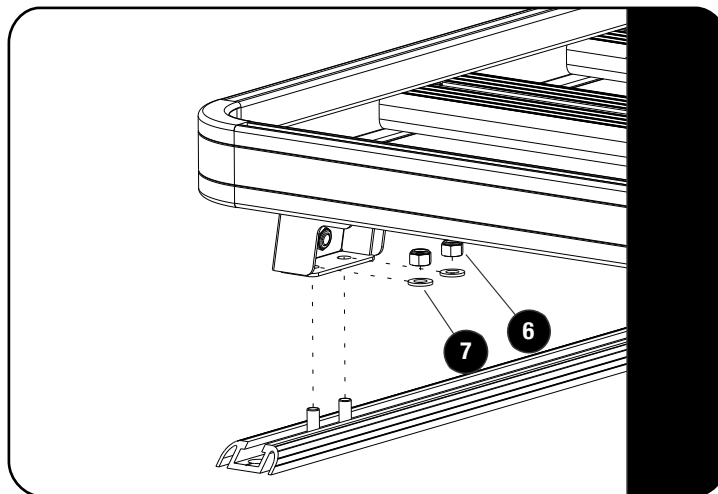
FIT AND SECURE

2.4



🔄 Before placing the Rack onto the vehicle, slide the Stud Plates (Item 3) removed in 2.3 into the track.

2.5

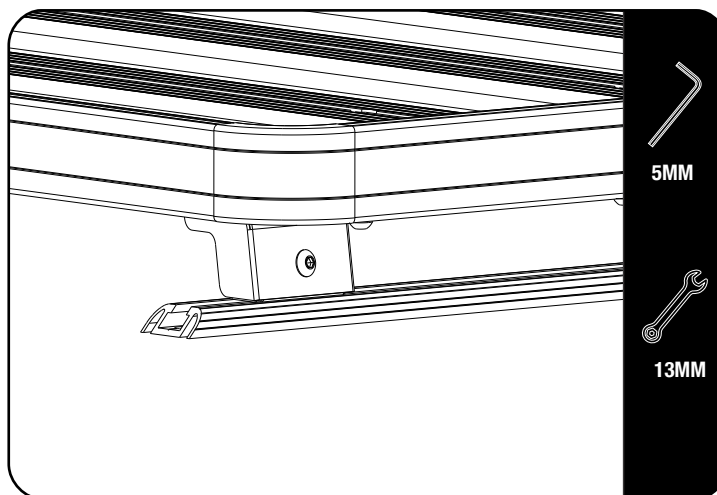


🔄 With the help of a friend, flip the Rack right side up.

Lower the Rack onto the tracks while aligning the Feet with the Stud Plates in the Tracks.

Loosely secure the Feet to the track using M8 x 16 x 1.6SS Flat Washers and M8 Nyloc Nuts (Items 6 & 7).

2.6



🔄 Before tightening the Feet to the tracks, position the Rack so that it sits level to the ground, not the vehicles roof line, or slanting slightly down toward the front.

First tighten the Feet to the tracks, then center the rack left to right and fully tighten the fasteners from 2.3.

Lastly set the height and fully tighten the M8 x 16 Button Head Bolts and M8 Nyloc Nuts (Items 5 & 7).

⚠️ Check clearance with sunroof operation and any accessories fitted.

25mm clearance is needed between roof and table bracket, if fitted.

Place M8 Nut Caps (Item 8) over all of the Nyloc Nuts.

3

FINISH

Congratulations! You did it. Take a step back and admire your work!

4

INSTALL OTHER VEHICLE AND RACK ACCESSORIES

Now's the time to visit your favorite Front Runner Dealer in person or Online.

Be sure to tag us. We love to see our gear in action! #FrontRunnerOutfitters #BornToRoam

Share your adventures on: 