

READ ME !

Thank you for purchasing a Front Runner Deck Completion Set.

Before you start, take a moment to familiarize yourself with the Fitting Instructions and the components received.

Refer to Page 2 for a list of all the components, quantities and tools required.

IMPORTANT WARNING!

IT IS CRITICAL THAT ALL FRONT RUNNER PRODUCTS BE PROPERLY AND SECURELY ASSEMBLED AND ATTACHED TO YOUR VEHICLE. IMPROPER ATTACHMENT COULD RESULT IN AN AUTOMOBILE ACCIDENT, AND COULD CAUSE SERIOUS BODILY INJURY OR DEATH. YOU ARE RESPONSIBLE FOR ASSEMBLING AND SECURING ALL FRONT RUNNER PRODUCTS TO YOUR VEHICLE, CHECKING THE ATTACHMENTS PRIOR TO USE, AND PERIODICALLY INSPECTING THE PRODUCTS FOR ADJUSTMENT, WEAR AND DAMAGE. THEREFORE, YOU MUST READ AND UNDERSTAND ALL OF THE INSTRUCTIONS AND PRECAUTIONS SUPPLIED WITH YOUR FRONT RUNNER PRODUCT PRIOR TO INSTALLATION OR USE. IF YOU DO NOT UNDERSTAND ALL OF THE INSTRUCTIONS AND CAUTIONS, OR IF YOU HAVE NO MECHANICAL EXPERIENCE AND ARE NOT THOROUGHLY FAMILIAR WITH THE INSTALLATION PROCEDURES, YOU SHOULD HAVE THE PRODUCT INSTALLED BY A PROFESSIONAL INSTALLER OR OTHER QUALIFIED PERSONNEL.

NOTE: Front Runner will not be responsible for any damage caused by the failure to install the product according to these instructions.

Please call us if you have any questions about the installation of this product.

1

GET ORGANIZED

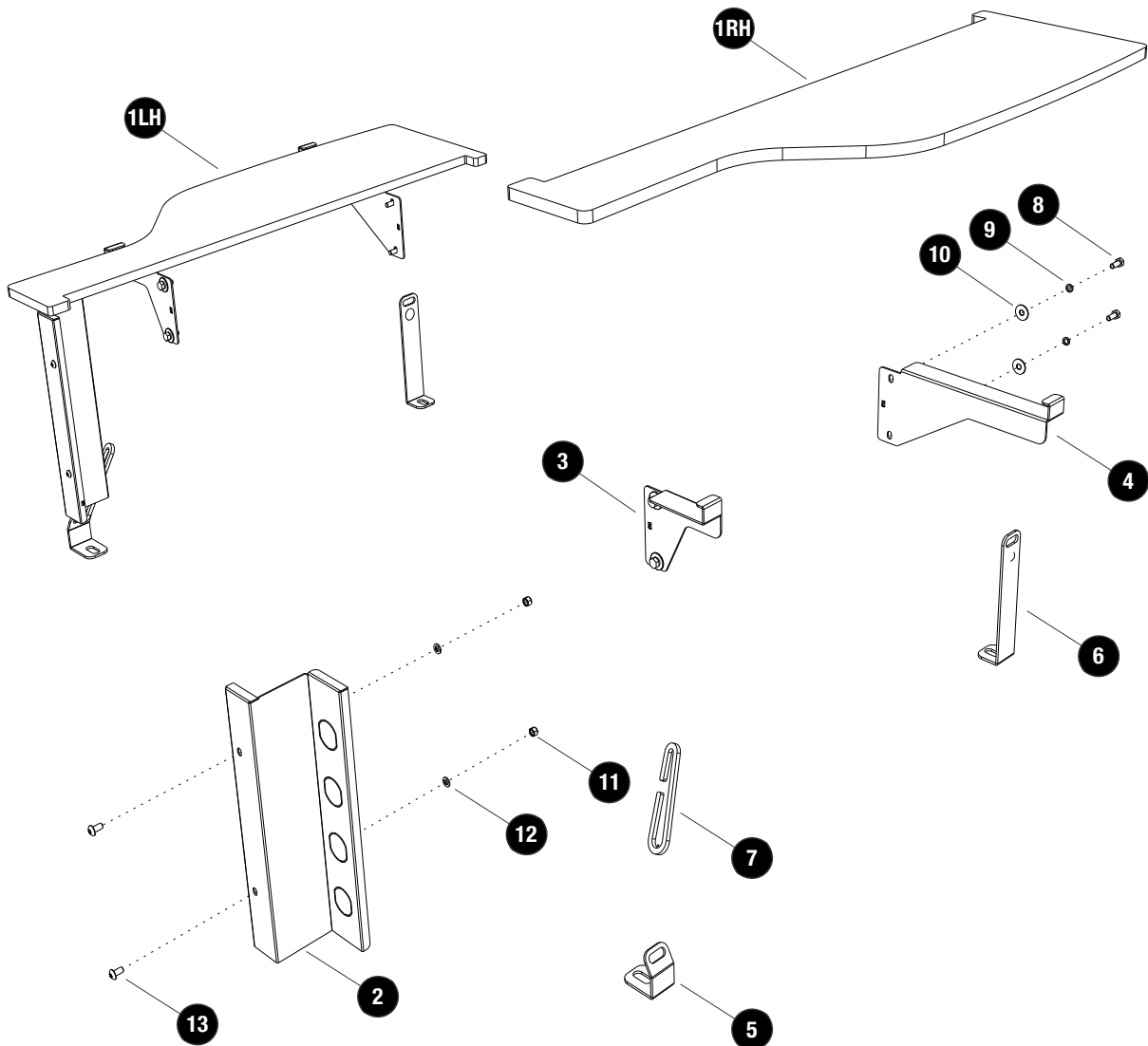
IN THE BOX

1	2 X	Side Deck 1LH + 1RH
2	2 X	Front Face 1LH + 1RH
3	2 X	Rear Side Wing 1LH + 1RH
4	2 X	Front Side Wing 1LH + 1RH
5	2 X	Rear Mount Bracket
6	2 X	Front Mount Bracket
7	2 X	Laser Cut Carabiner 115mm
8	8 X	M6 x 16 Hex Bolt
9	8 X	M6 SS Spring Washer
10	8 X	M6 x 19 x 1 SS Flat Washer
11	4 X	M5 Nyloc Nut
12	4 X	M5 x 10 x 1 SS Flat Washer
13	4 X	M5 x 10 Button Head

TOOLS NEEDED



FIGURE 1.1



2

FIT AND SECURE

2.1



🔄 Before starting with the fitment, remove the storage box located behind the last row of seats.
Do this by unscrewing the two knobs inside the storage box and sliding the box out.

2.2



🔄 Secure the Rear Mount Bracket (Item 5) using the existing bolt that holds seat at the rear as shown.
Do this on both the left and right sides of the vehicle.

2.3



🔄 Secure the Front Mount Bracket (Item 6) using the existing bolt that holds seat in front as shown.
Do this on both the left and right sides of the vehicle.

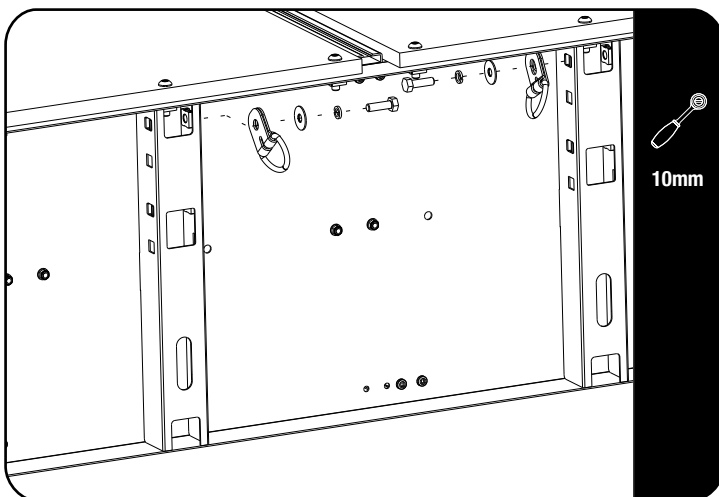
2 FIT AND SECURE

2.4



↻ Refit the storage box by sliding it in place and securing it with the knobs removed in Step 2.1 and then lower the rear row of seats.

2.5

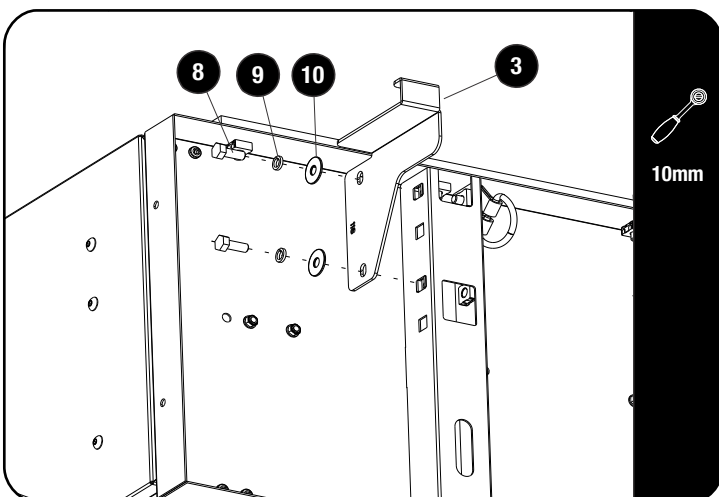


↻ Fit the D-Rings (supplied with SSDR003) to the Drawers side pillars as shown.

Do this on the left and right side of the drawer.

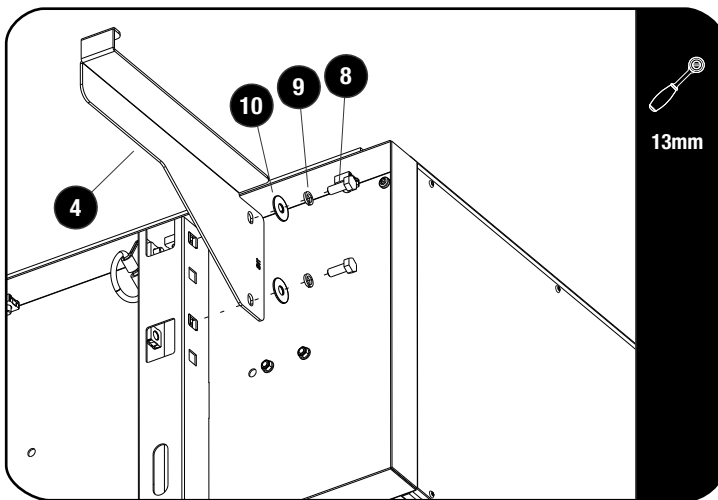
After fitting the D-Rings, place the Drawer in the back of the vehicle over the storage box and rear seats.

2.6



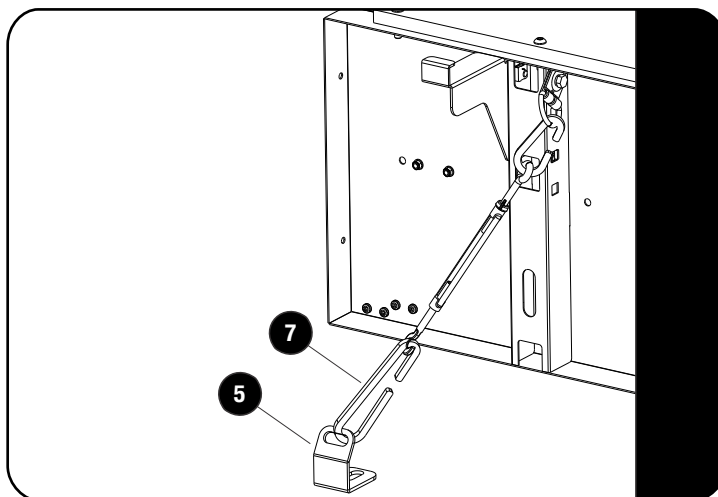
↻ Fit the Rear Side Wings (Item 3) to the left and right side of the drawer, using M6 x 16 Button Head Bolts, M6 SS Spring Washers and M6 x 19 x 1 SS Flat Washers (Items 8, 9 & 10) as shown.

2.7



Fit the Front Side Wings (Item 4) to the left and right side of the drawer, using M6 x 16 Button Head Bolts, M6 SS Spring Washers and M6 x 19 x 1 SS Flat Washers (Items 8, 9 & 10) as shown.

2.8



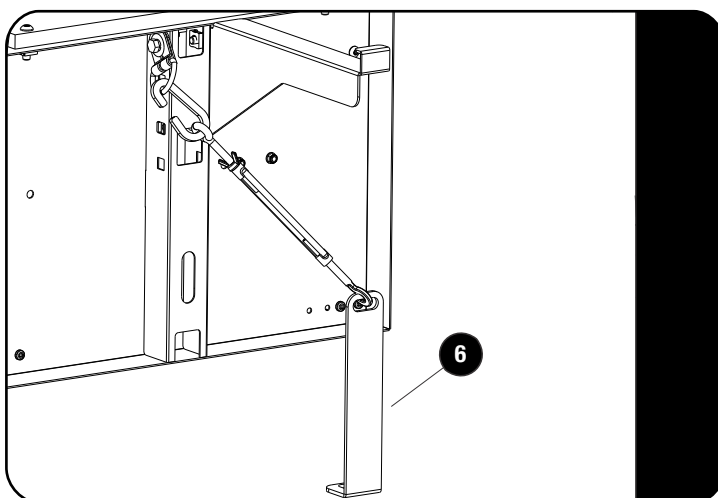
Place the side decks onto the Wings and use them to position the Drawer in the vehicle. The side decks should follow the contours of the interior panel.

With the drawer now in position, remove the Side Decks.

Secure the Drawer to the Rear Mount Brackets (Item 5), using two 115mm Laser Cut Carabiners 115mm (Item 7), two Turnbuckles and two 60mm Laser cut Carabiners as shown.

(Turnbuckles and 60mm Carabiners supplied with SSDR003).

2.9

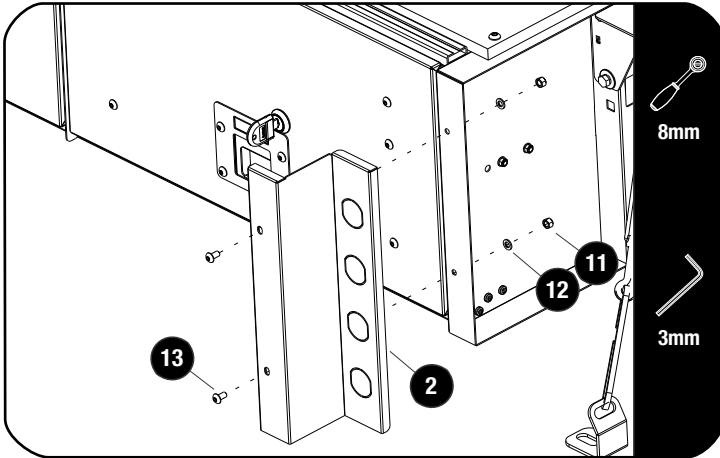


Secure the Drawer to the Front Mount Brackets (Item 6), using two Turnbuckles and two 60mm Laser Cut Carabiners as shown.

(Turnbuckles and 60mm Carabiners supplied with SSDR003).

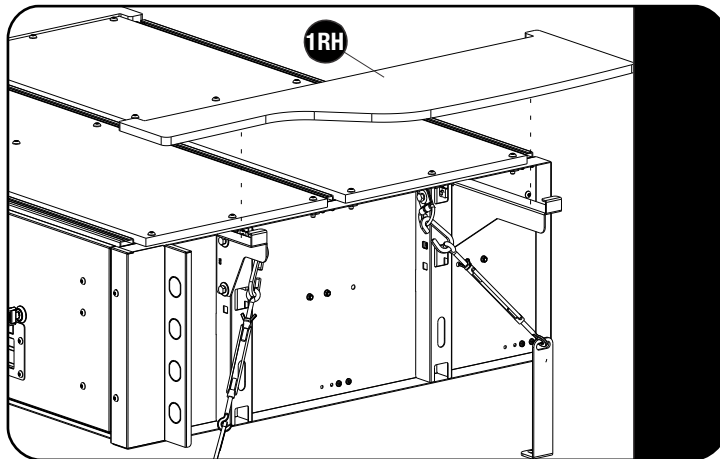
2**FIT AND SECURE**

2.10



Secure the Front Faces (Item 2LH & 2RH) to the Drawer using M5 x 10 Button Heads, M5 Flat Washers and M5 Nyloc Nuts (Items 11, 12 & 13) as shown.

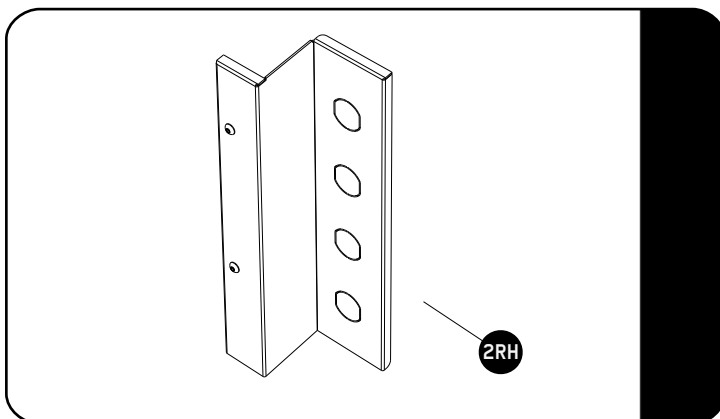
2.11



Fit the LH and RH Side Decks (Items 1LH & 1RH) to the Drawer by placing them into the C-Clips and pushing downward.

3**FITTING ELECTRICAL SOCKETS**

3.1



Twist the precut knock outs to remove.

Socket Inserts (sold separately) can be installed into this front face.

ECOM117 - Amp Meter
 ECOM118 - USB Socket
 ECOM119 - 12/24V Socket
 ECOM120 - Merit Socket
 ECOM121 - Engel Socket
 ECOM124 - Volt Meter

3 COMPLETION

3.1



Congratulations! You did it. Take a step back and admire your work!

4

INSTALL OTHER VEHICLE AND RACK ACCESSORIES

Now's the time to visit your favorite Front Runner Dealer in person or online.

Be sure to tag us. We love to see our gear in action! #FrontRunnerOutfitters #BornToRoam

Share your adventures on: 