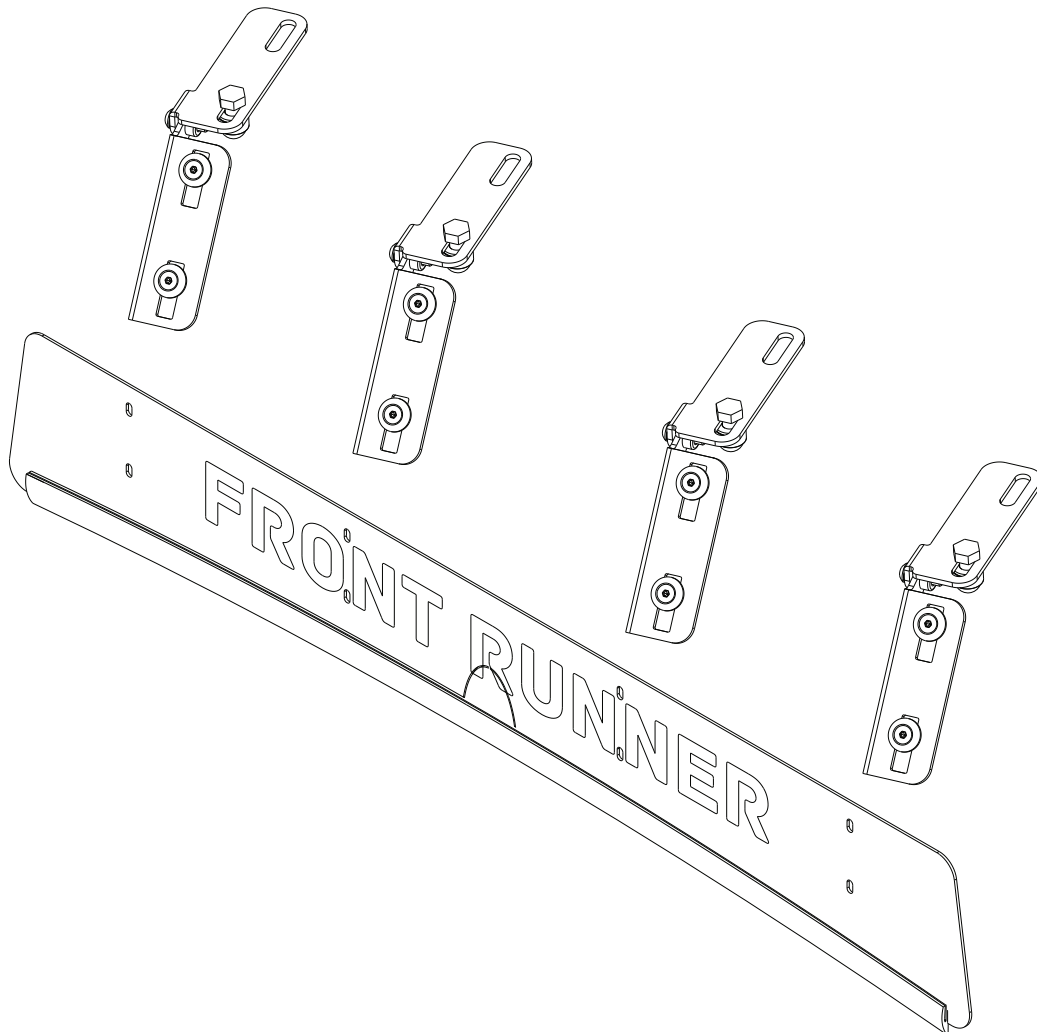


# FRONT RUNNER

## WIND FAIRING FOR RACK 1165MM / 1255MM(W)

ENG

RRAC143



### READ ME !

Thank you for purchasing a Front Runner Wind Fairing for Rack / 1165mm / 1255mm(W).  
Before you start, take a moment to familiarize yourself with the Fitting Instructions and the components received.  
Refer to Page 2 for a list of all the components, quantities and tools required.

### IMPORTANT WARNING!

IT IS CRITICAL THAT ALL FRONT RUNNER PRODUCTS BE PROPERLY AND SECURELY ASSEMBLED AND ATTACHED TO YOUR VEHICLE. IMPROPER ATTACHMENT COULD RESULT IN AN AUTOMOBILE ACCIDENT, AND COULD CAUSE SERIOUS BODILY INJURY OR DEATH. YOU ARE RESPONSIBLE FOR ASSEMBLING AND SECURING ALL FRONT RUNNER PRODUCTS TO YOUR VEHICLE, CHECKING THE ATTACHMENTS PRIOR TO USE, AND PERIODICALLY INSPECTING THE PRODUCTS FOR ADJUSTMENT, WEAR AND DAMAGE. THEREFORE, YOU MUST READ AND UNDERSTAND ALL OF THE INSTRUCTIONS AND PRECAUTIONS SUPPLIED WITH YOUR FRONT RUNNER PRODUCT PRIOR TO INSTALLATION OR USE. IF YOU DO NOT UNDERSTAND ALL OF THE INSTRUCTIONS AND CAUTIONS, OR IF YOU HAVE NO MECHANICAL EXPERIENCE AND ARE NOT THOROUGHLY FAMILIAR WITH THE INSTALLATION PROCEDURES, YOU SHOULD HAVE THE PRODUCT INSTALLED BY A PROFESSIONAL INSTALLER OR OTHER QUALIFIED PERSONNEL.

**NOTE:** Front Runner will not be responsible for any damage caused by the failure to install the product according to these instructions.  
Please call us if you have any questions about the installation of this product.

# 1

## GET ORGANIZED

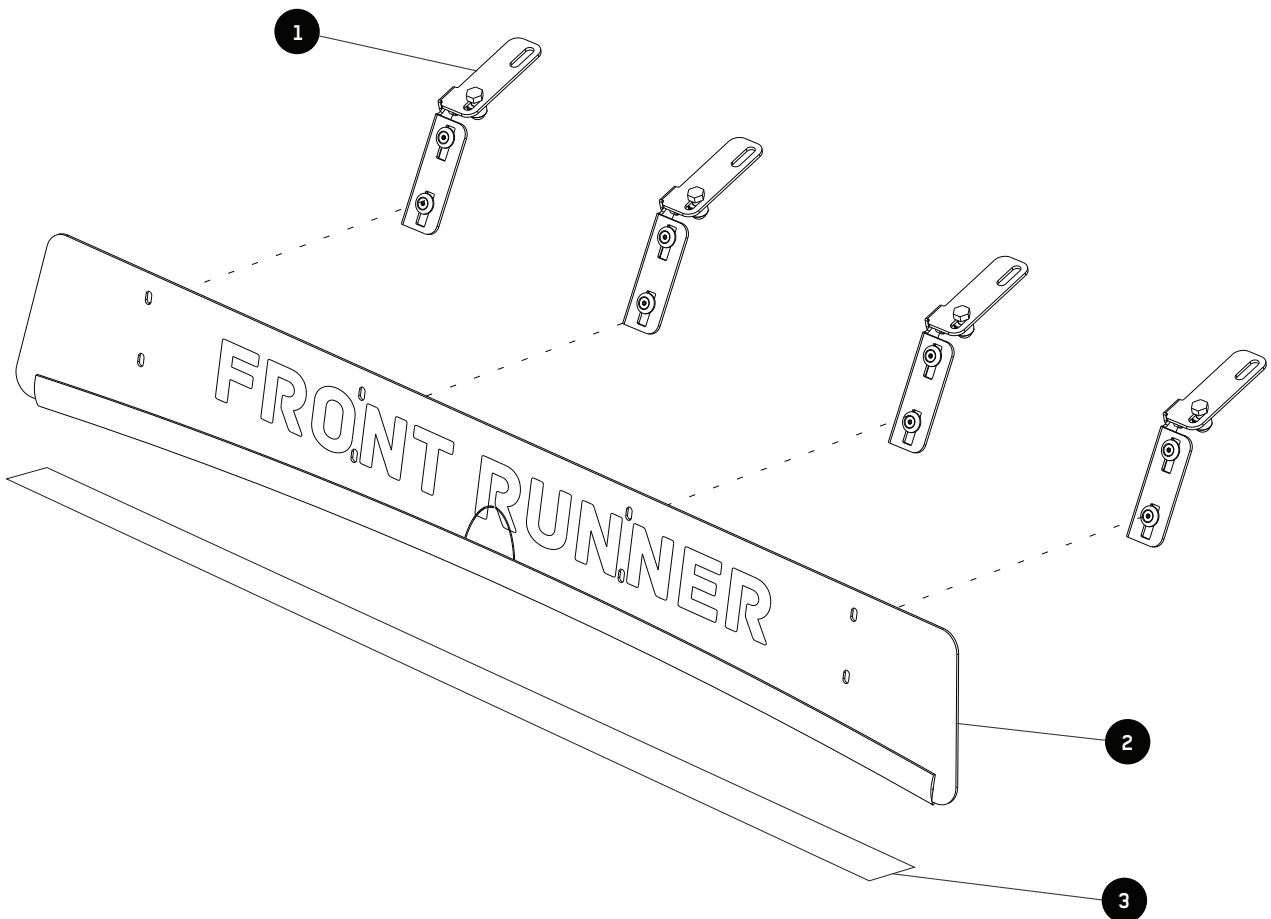
### IN THE BOX

1	4 X	RRAC142
2	1 X	Wind Fairing for Rack / 1165mm / 1255mm(W)
3	1 X	Clear Protection Strip

### TOOLS NEEDED



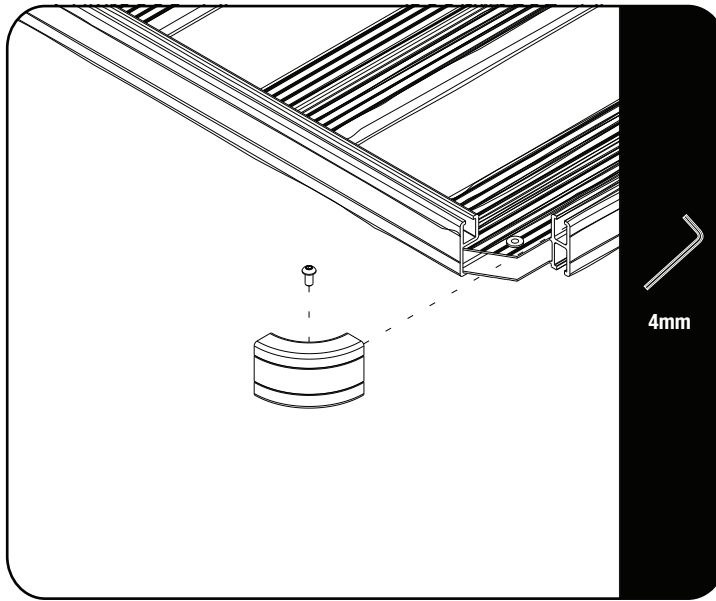
FIGURE 1.1



2

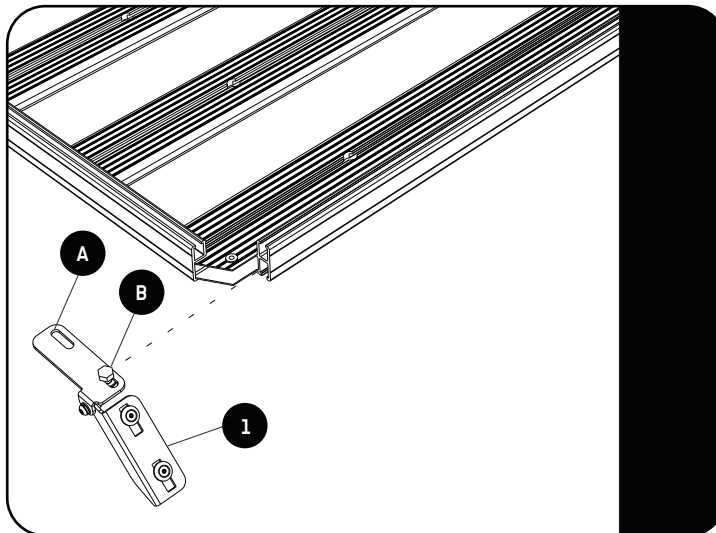
**FIT AND SECURE**

2.1



Start with removing the front right-hand Corner piece with a 4mm Allen Key.

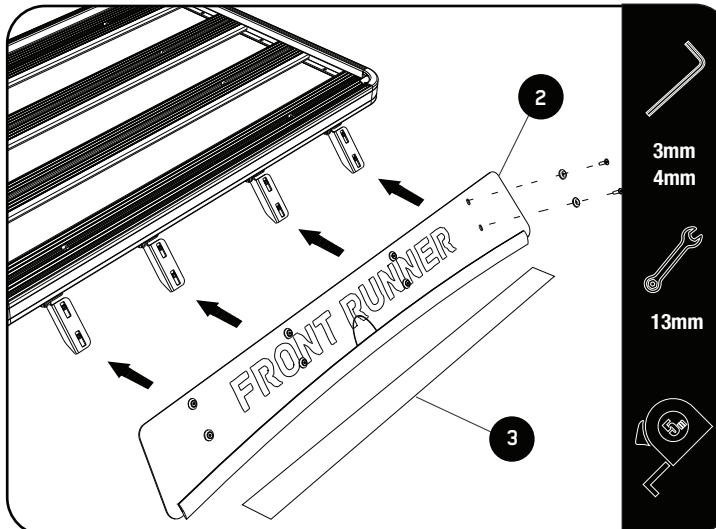
2.2



Slide 4 loosely assembled Wind Fairing Adjustable Brackets (Item 1) into the bottom T Slot as shown. Use either Slot A or B as shown in Figure 2.2.

Position the Wind Fairing Adjustable Brackets so that they line up with holes in the the Wind Fairing (Item 2).

2.3



Remove the M5x16 Countersink Screws & M5 Finishing Washers from the bracket.

Place the Wind Fairing (Item 2) into position over the Wind Fairing Adjustable Brackets (Item 1). Using the M5x16 Countersink Screws and M5 Finishing Washers loosely secure to the Brackets.

**!** The Rubber Trim should sit fully on the vehicle roof along the length.

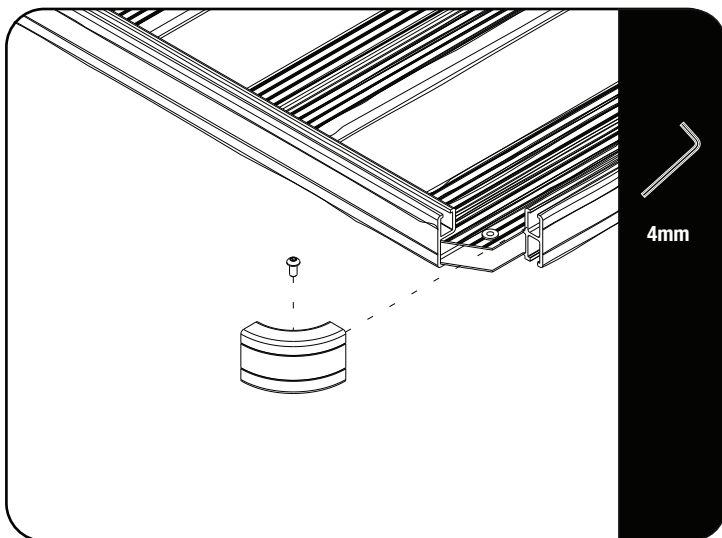
Use the Clear protection Strip (Item 3) included to protect paint work.

Center the Wind Fairing (Item 2) and adjust the angle before fully tightening.

2

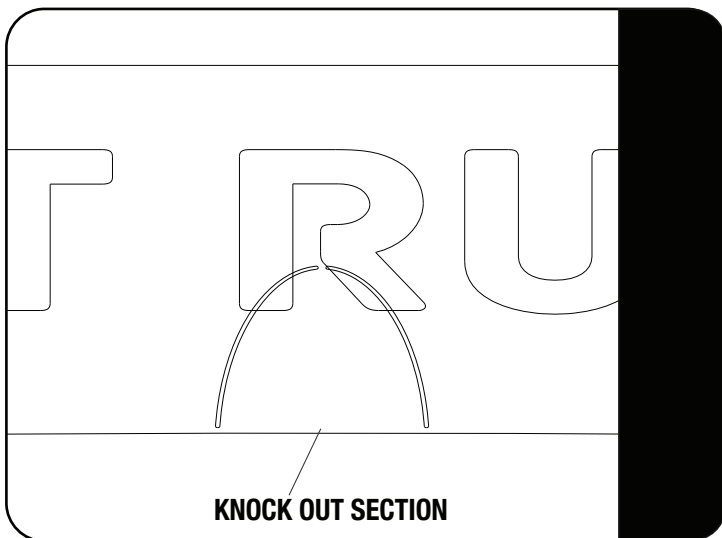
## FIT AND SECURE

2.4



Refit Corner removed earlier in 2.1

2.5



If your vehicle has a Roof Antenna which interferes with the Wind Fairing touching the roof. The knock out section can be removed.

3

## FINISH

Congratulations! You did it. Take a step back and admire your work!

4

## INSTALL OTHER VEHICLE AND RACK ACCESSORIES

Now's the time to visit your favorite Front Runner Dealer in person or online.

Be sure to tag us. We love to see our gear in action! #FrontRunnerOutfitters #BornToRoam

Share your adventures on:

