

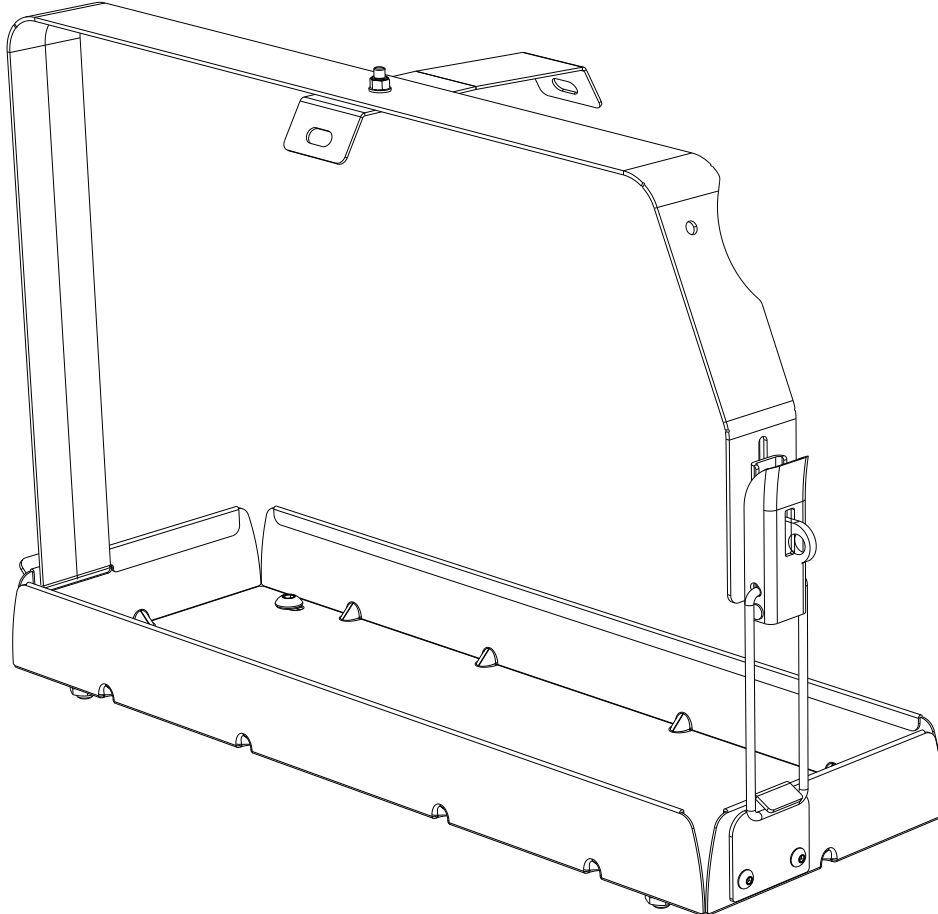


FRONT RUNNER
VEHICLE OUTFITTERS

SINGLE JERRY CAN HOLDER

ENG

JCH0009



READ ME !

Thank you for purchasing a Front Runner Single Jerry Can Holder.

Before you start, take a moment to familiarize yourself with the Fitting Instructions and the components received.

Refer to Page 2 for a list of all the components, quantities and tools required.

IMPORTANT WARNING!

IT IS CRITICAL THAT ALL FRONT RUNNER PRODUCTS BE PROPERLY AND SECURELY ASSEMBLED AND ATTACHED TO YOUR VEHICLE. IMPROPER ATTACHMENT COULD RESULT IN AN AUTOMOBILE ACCIDENT, AND COULD CAUSE SERIOUS BODILY INJURY OR DEATH. YOU ARE RESPONSIBLE FOR ASSEMBLING AND SECURING ALL FRONT RUNNER PRODUCTS TO YOUR VEHICLE. CHECKING THE ATTACHMENTS PRIOR TO USE, AND PERIODICALLY INSPECTING THE PRODUCTS FOR ADJUSTMENT, WEAR AND DAMAGE. THEREFORE YOU MUST READ AND UNDERSTAND ALL OF THE INSTRUCTIONS AND PRECAUTIONS SUPPLIED WITH YOUR FRONT RUNNER PRODUCT PRIOR TO INSTALLATION OR USE. IF YOU DO NOT UNDERSTAND ALL OF THE INSTRUCTIONS AND CAUTIONS, OR IF YOU HAVE NO MECHANICAL EXPERIENCE AND ARE NOT THOROUGHLY FAMILIAR WITH THE INSTALLATION PROCEDURES, YOU SHOULD HAVE THE PRODUCT INSTALLED BY A PROFESSIONAL INSTALLER OR OTHER QUALIFIED PERSONNEL.

1

GET ORGANIZED

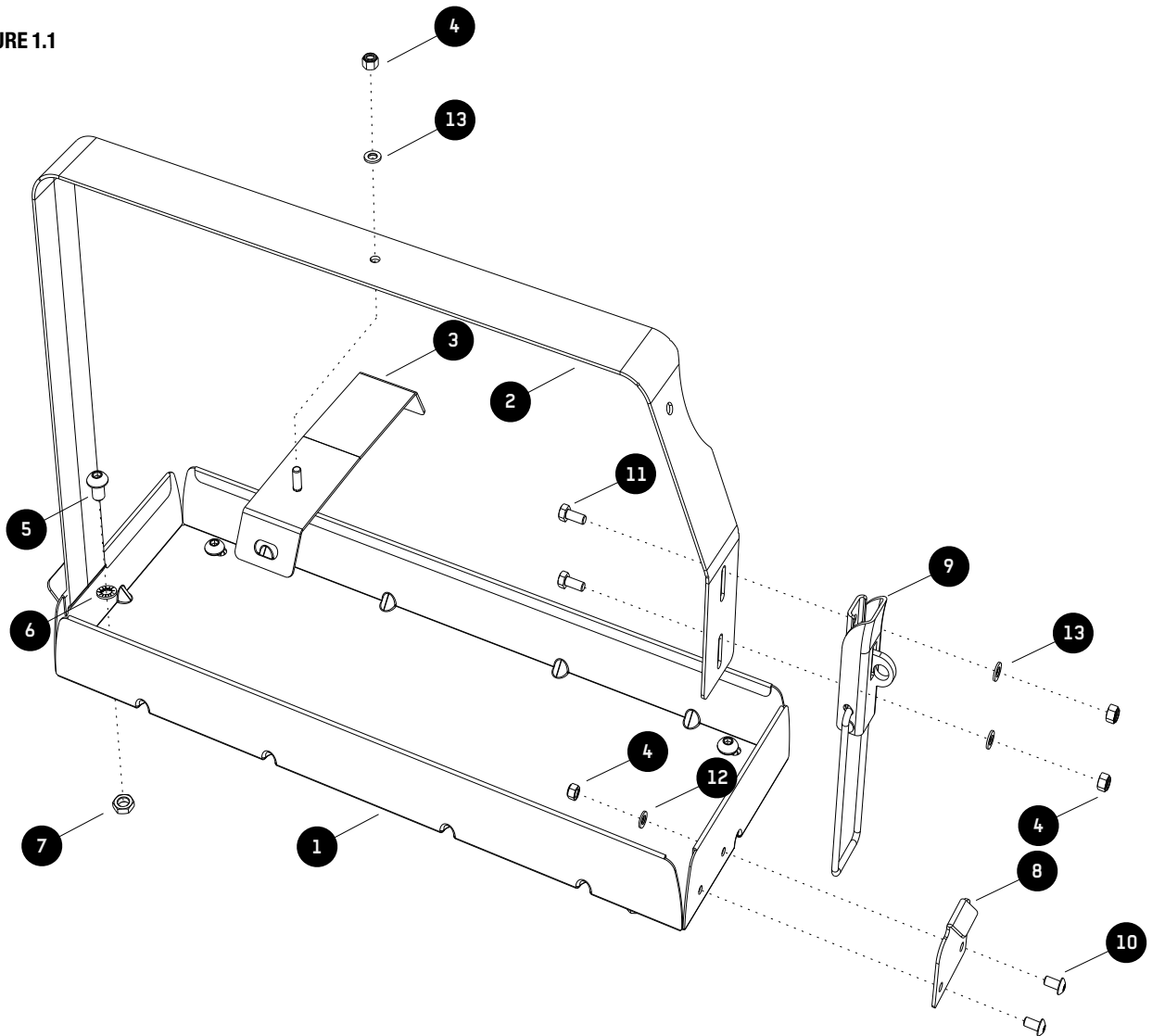
IN THE BOX

1	1 X	Jerry Can Holder Base
2	1 X	Top Strap
3	1 X	Cross Strap
4	5 X	M5 Nyloc Nut
5	4 X	M8 x 12 Button Head Bolt
6	4 X	M8 Schnorr Washer
7	4 X	M8 Half Nut
8	1 X	Latch Keeper
9	1 X	Latch
10	2 X	M5 x 10 Button Head Bolt
11	2 X	M5 x 12 Hex Bolt
12	7 X	M5 x 10 x 1SS Flat Washer

TOOLS NEEDED

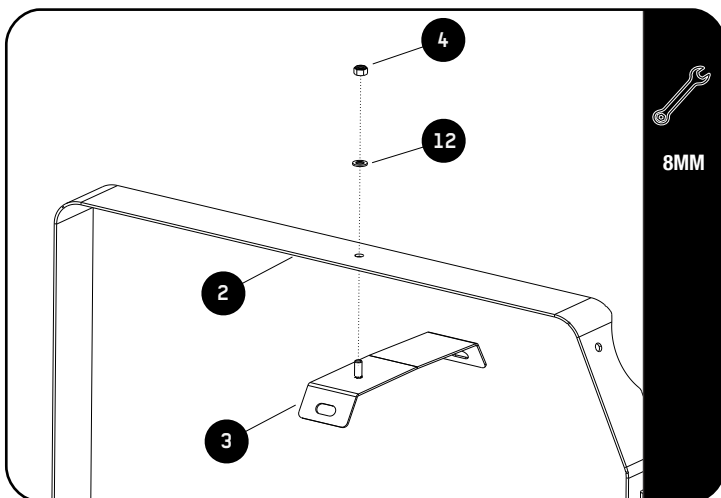


FIGURE 1.1



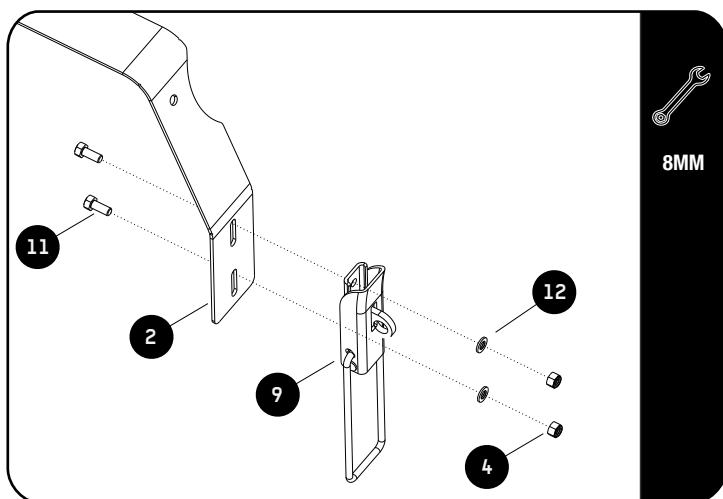
2 FIT AND SECURE THE FRONT MOUNT BRACKETS

2.1



Secure the Cross Strap (Item 3) to the Top Strap (Item 2) using a M5 Nyloc Nut and M5 x 10 x 1SS Flat Washer (Items 4 & 12) as shown.

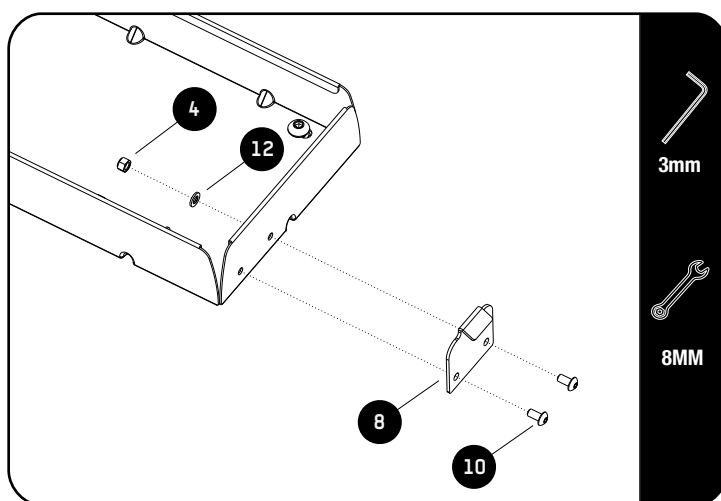
2.2



Loosely fit the Latch (Item 9) to the Top Strap (Item 2) using M5 x 12 Hex Bolts, M5 x 10 x 1SS Flat Washers and M5 Nyloc Nuts (Items 11, 12 & 4) as shown.

In Step 2.5 you will do final adjustments to the Latch before fully tighten.

2.3

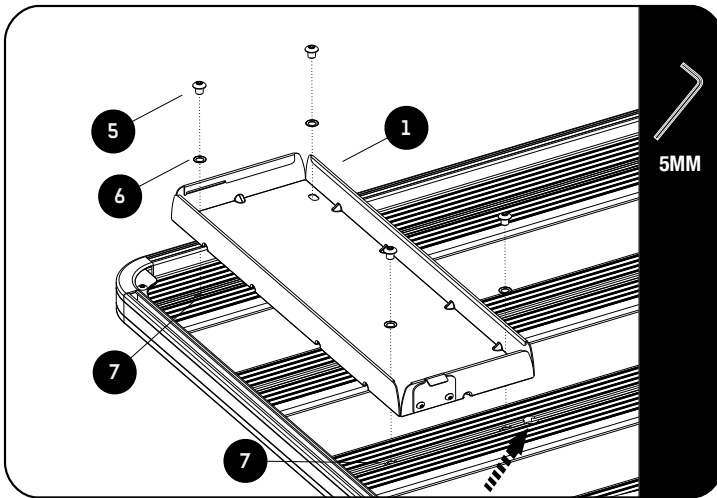


Secure the Latch Keeper (Item 8) to the Jerry Can Holder Base (Item 1) using M5 x 10 Button Head Bolts, M5 x 10 x 1SS Flat Washers and M5 Nyloc Nuts (Items 10, 12 & 4) as shown.

2

FIT AND SECURE THE FRONT MOUNT BRACKETS FRONT MOUNT BRACKETS

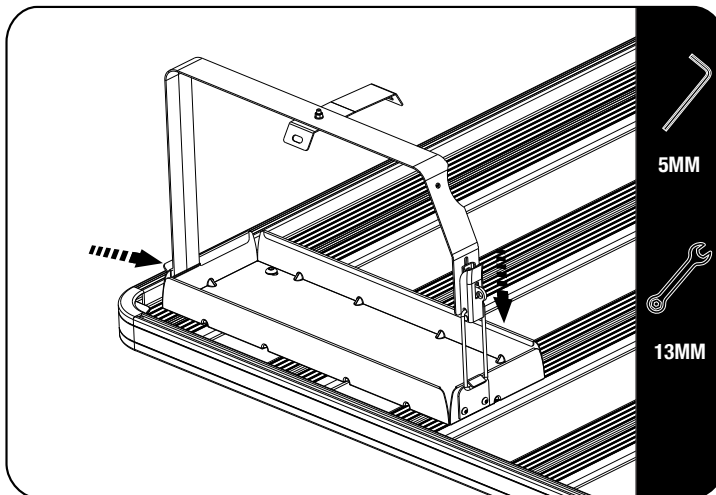
2.4



Decide where on the Slimline II Rack you want to mount the Jerry Can Holder.

Slide four M8 Half Nuts (Item 7) into the machined slots. Secure the Jerry Can Holder Base (Item 1) to the Rack using M8 x 12 Button Head Bolts and M8 Schnorr Washers (Items 5 & 6) as shown.

2.5



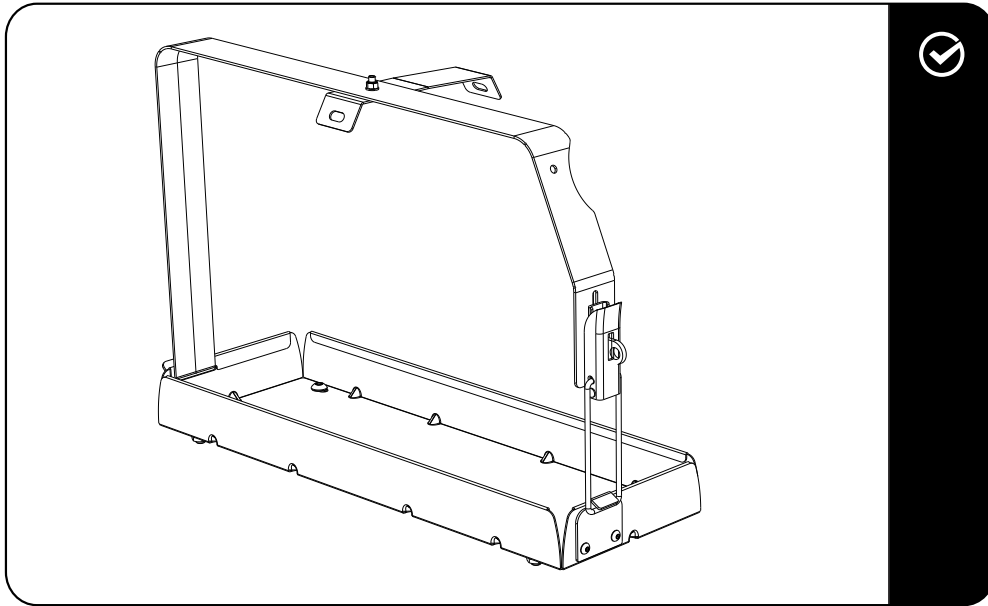
Insert the Top Strap into the slot in the Jerry Can Holder Base.

Place the Jerry Can into the Holder and do final adjustments to the latch, insuring the Jerry Can is securely fastened.

3

COMPLETION

3.1



Congratulations! You did it. Take a step back and admire your work!

4

Front Runner will not be responsible for any damage caused by the failure to install the product according to these instructions. Please call us if you have any questions about the installation of this product.

5

INSTALL OTHER VEHICLE AND RACK ACCESSORIES

Now's the time to visit your favorite Front Runner Dealer in person or Online.

Be sure to tag us. We love to see our gear in action! #FrontRunnerOutfitters #BornToRoam

Share your adventures on:   