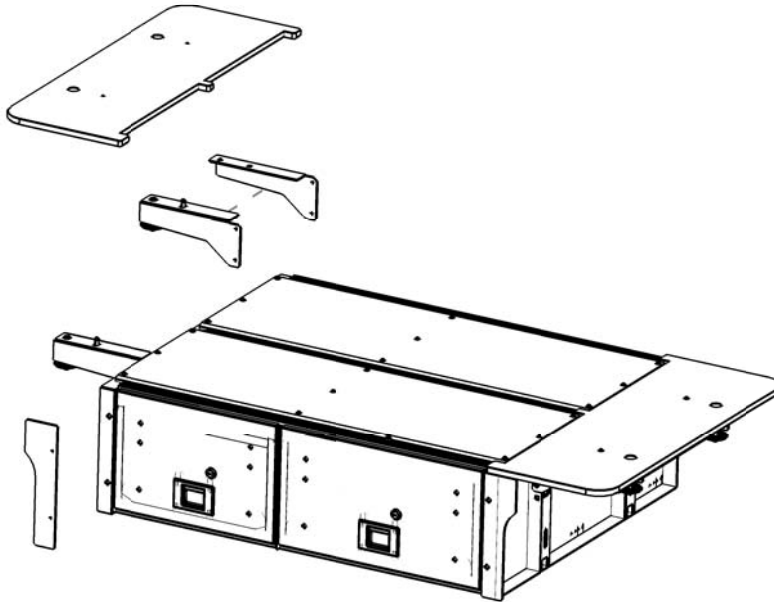




INSTALL TIME: 30 mins

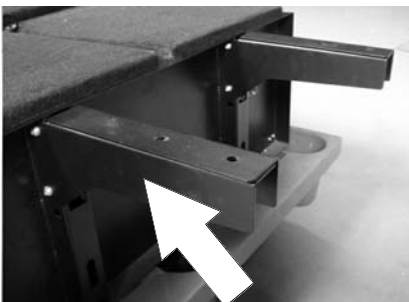
You will need:

- 9 mm Drill Bit and Drill Machine
- 13 mm Flat and Socket Wrench
- 7 mm Flat or Socket Wrench
- 8 mm Flat or Socket Wrench
- 3 mm Hex Key
- 4 mm Hex Key
- Marking Pen



1 FIT DRAWER SYSTEM

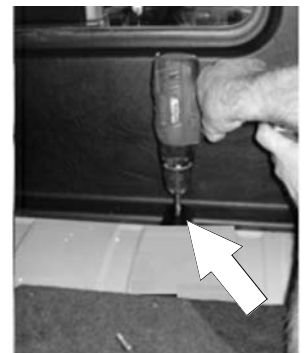
(A) Fit the four Mounting Brackets, two left and two right. There are two different height options available when mounting the Brackets. Choose the option best suited to your vehicle.



(B) Place the Drawer System into the vehicle locating it as far back as possible without it interfering with Rear Door. Center the Drawer System left to right.

(C) Using the Mounting Brackets as guides, mark the position of the four Mounting Holes (Outer hole on each Mounting Bracket) onto the vehicle's wheel arches. Remove the Drawer System and drill 9mm holes through the wheel arches on your markings.

Refit the Drawer System.



1 FIT DRAWER SYSTEM CONT...

- (D) Loosen and remove both the left and right wheel arch liners.



- (E) Secure the Drawer System to the vehicle using the four M8x70 Hex Bolts, Large Body Washers, M8 Flat Washers and Nyloc Nuts supplied. Both Washers are used on the underside of the vehicle.



- (F) Refit the two wheel arch liners and complete the installation, by fitting the two Front Cover Panels and Deck Side Skirts.



Congratulations, you have completed your installation. Take a step back and admire your work. Good Job!

2 INSTALL OTHER VEHICLE AND RACK ACCESSORIES

- (A) Now's the time to visit your favorite Front Runner dealer in person or online.