

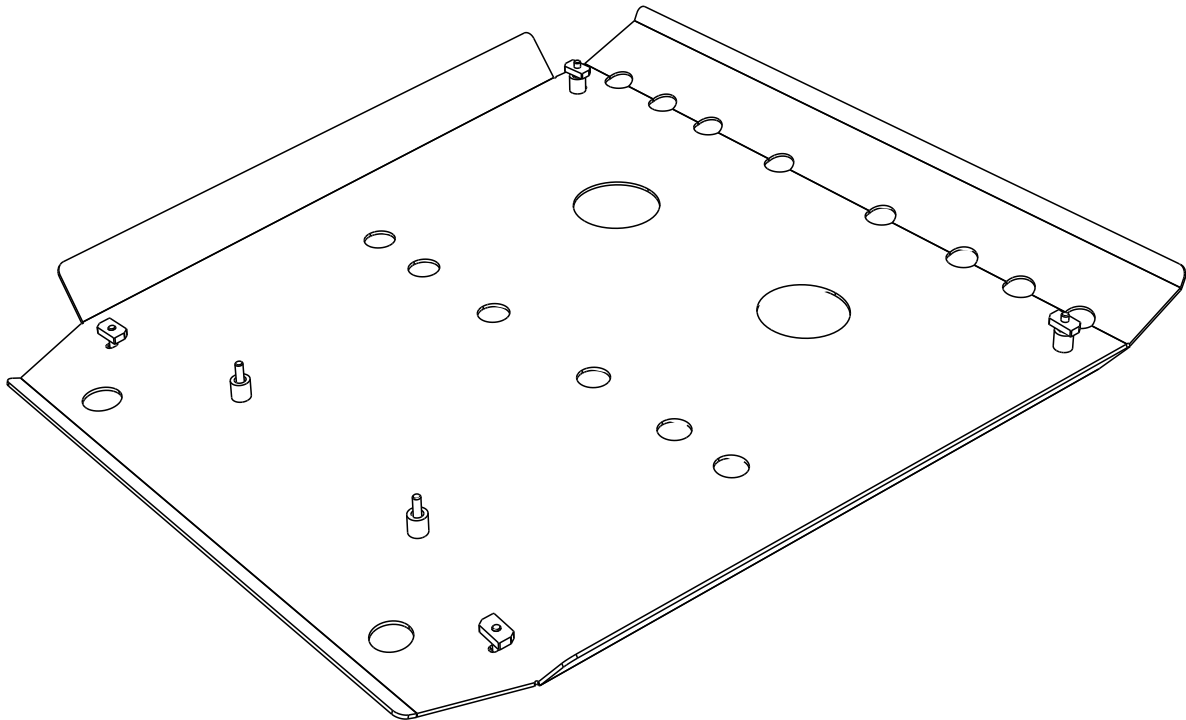


**FRONT RUNNER**  
VEHICLE OUTFITTERS

**GEARBOX GUARD**  
**MITSUBISHI PAJERO BK LWB**

ENG

SGMP002



**READ ME FIRST!** ⚠

Thank you for purchasing a Front Runner GearBox Guard.

Before you start, take a moment to familiarize yourself with this Fitting Instruction and the components received.

Refer to Page 2 for a list of all the components, quantities and tools required.

**IMPORTANT WARNING!** ⚠

IT IS CRITICAL THAT ALL FRONT RUNNER PRODUCTS BE PROPERLY AND SECURELY ASSEMBLED AND ATTACHED TO YOUR VEHICLE. IMPROPER ATTACHMENT COULD RESULT IN AN AUTOMOBILE ACCIDENT, AND COULD CAUSE SERIOUS BODILY INJURY OR DEATH. YOU ARE RESPONSIBLE FOR ASSEMBLING AND SECURING ALL FRONT RUNNER PRODUCTS TO YOUR VEHICLE. CHECKING THE ATTACHMENTS PRIOR TO USE, AND PERIODICALLY INSPECTING THE PRODUCTS FOR ADJUSTMENT, WEAR AND DAMAGE. THEREFORE YOU MUST READ AND UNDERSTAND ALL OF THE INSTRUCTIONS AND PRECAUTIONS SUPPLIED WITH YOUR FRONT RUNNER PRODUCT PRIOR TO INSTALLATION OR USE. IF YOU DO NOT UNDERSTAND ALL OF THE INSTRUCTIONS AND CAUTIONS, OR IF YOU HAVE NO MECHANICAL EXPERIENCE AND ARE NOT THOROUGHLY FAMILIAR WITH THE INSTALLATION PROCEDURES, YOU SHOULD HAVE THE PRODUCT INSTALLED BY A PROFESSIONAL INSTALLER OR OTHER QUALIFIED PERSONNEL.

1

# GET ORGANIZED

Here is what you are looking at for SGMP002

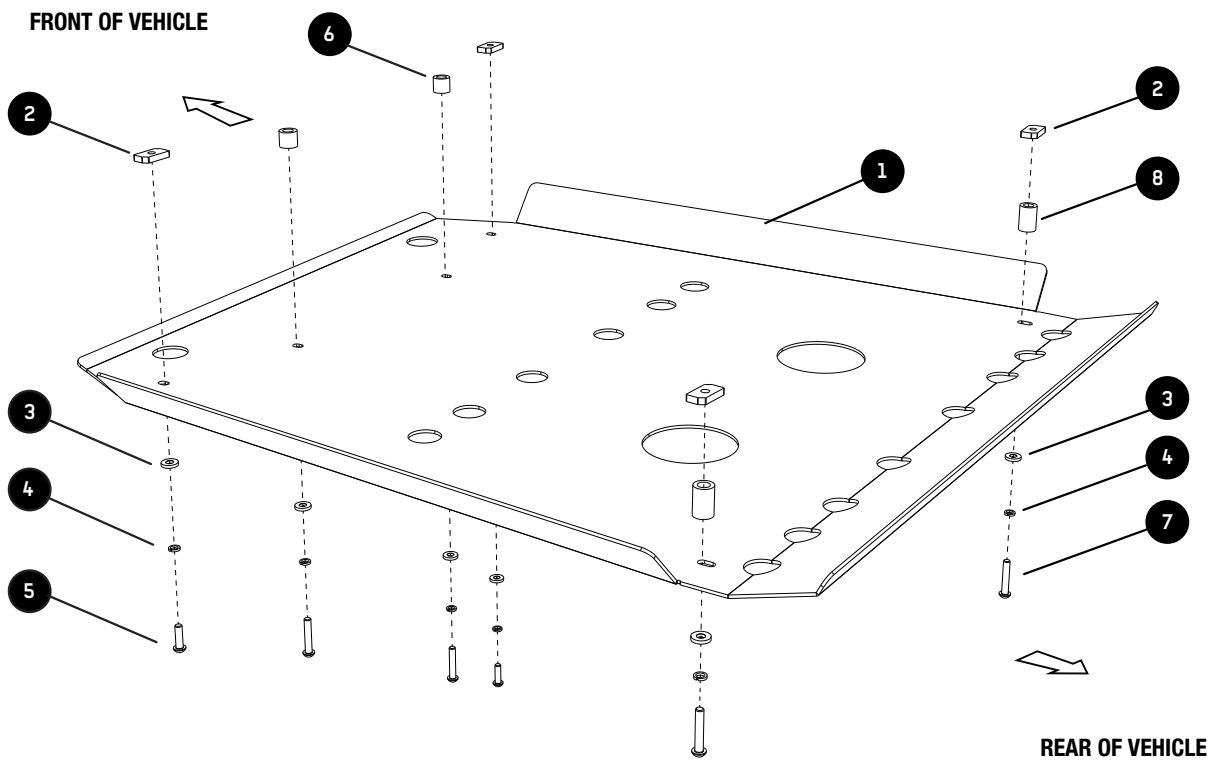
## IN THE BOX

1	1 X	Gearbox Guard
2	4 X	Channel Nut M8 On Wire
3	6 X	M8x19x2 Flat Washer
4	6 X	M8 Spring Washer
5	2 X	M8x25 Button Head
6	2 X	19x12.58x15 Aluminium Spacer
7	4 X	M8x45 Button Head
8	2 X	19x12.58x24 Aluminium Spacer

## TOOLS NEEDED



FIGURE 1.1



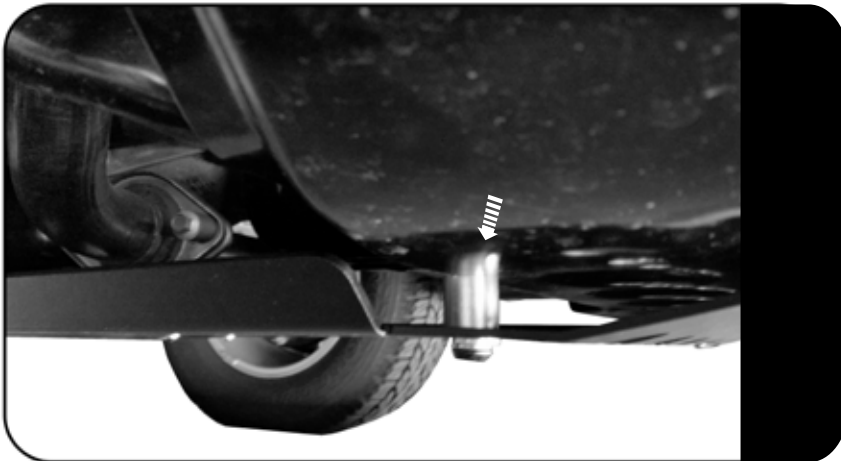
## 2 FIT AND SECURE

2.1



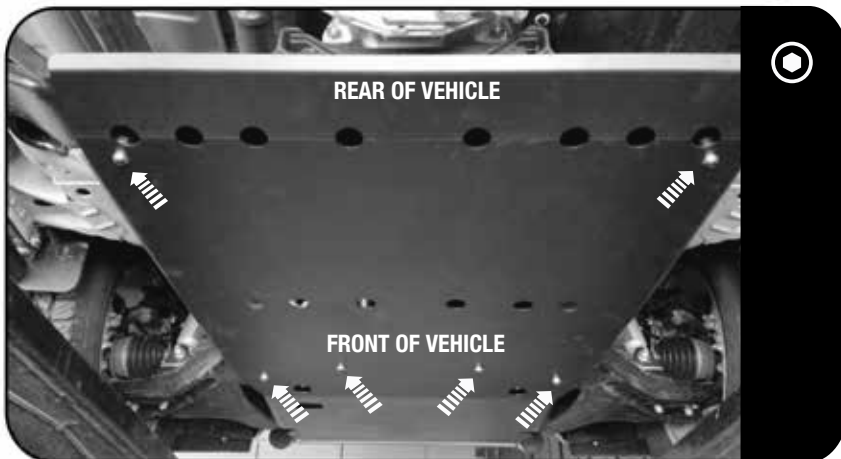
Refer to Figure 1.1 for placement of front spacers (item6).

2.2



Refer to Figure 1.1 for placement of rear spacers (item8).

2.3



Use 6 points as indicated for securing the Guard to the vehicle. See figure 1.1 for reference.

Tightening Torque 40Nm

3

## COMPLETION

3.1



**Congratulations. You did it. Take a step back and admire your work!**

4

## INSTALL OTHER VEHICLE AND RACK ACCESSORIES

Now's the time to visit your favorite Front Runner Dealer in person or online.