

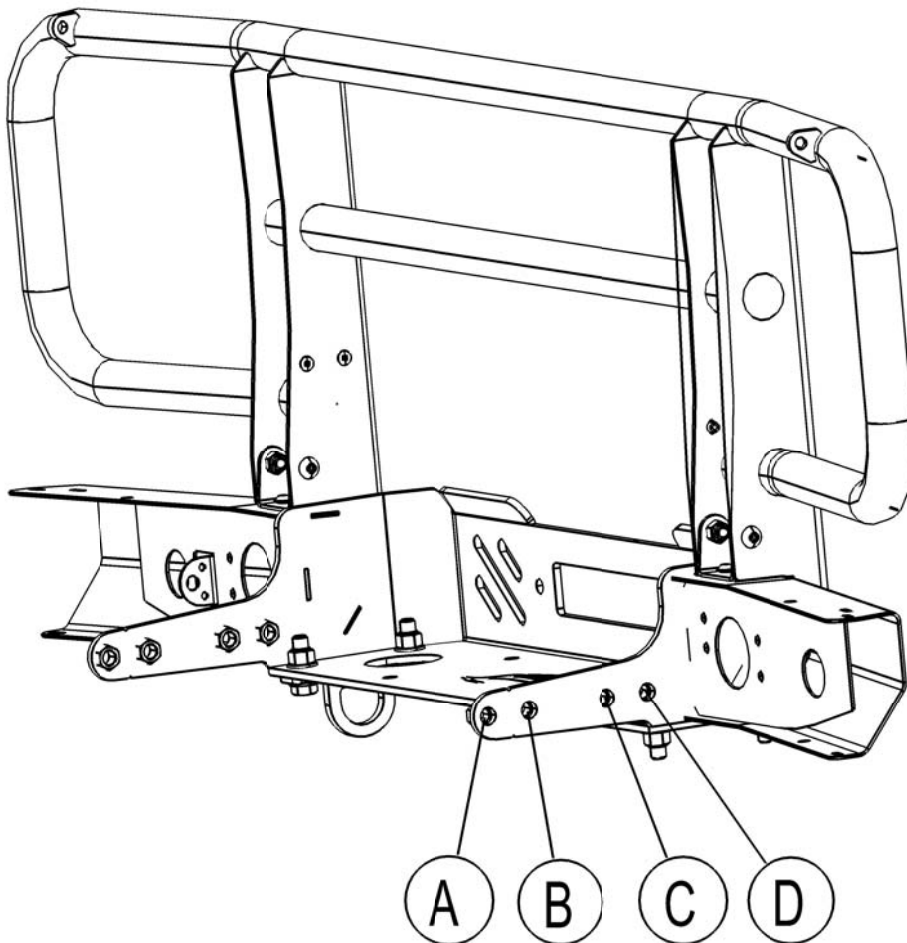


**You will need:**

- 19 mm Flat and Socket Wrench



**INSTALL TIME: 1 Hour**



### IMPORTANT WARNING!

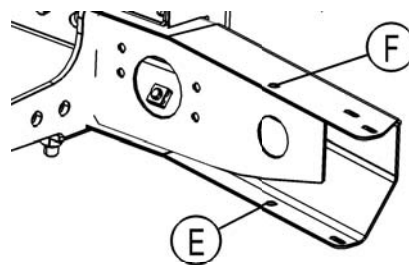
IT IS CRITICAL THAT ALL FRONT RUNNER PRODUCTS BE PROPERLY AND SECURELY ASSEMBLED AND ATTACHED TO YOUR VEHICLE. IMPROPER ATTACHMENT COULD RESULT IN AN AUTOMOBILE ACCIDENT, AND COULD CAUSE SERIOUS BODILY INJURY OR DEATH TO YOU OR TO OTHERS. YOU ARE RESPONSIBLE FOR ASSEMBLING AND SECURING ALL FRONT RUNNER PRODUCTS TO YOUR VEHICLE, CHECKING THE ATTACHMENTS PRIOR TO USE, AND PERIODICALLY INSPECTING THE PRODUCTS FOR ADJUSTMENT, WEAR, AND DAMAGE. THEREFORE, YOU MUST READ AND UNDERSTAND ALL OF THE INSTRUCTIONS AND CAUTIONS SUPPLIED WITH YOUR FRONT RUNNER PRODUCT PRIOR TO INSTALLATION OR USE. IF YOU DO NOT UNDERSTAND ALL OF THE INSTRUCTIONS AND CAUTIONS, OR IF YOU HAVE NO MECHANICAL EXPERIENCE AND ARE NOT THOROUGHLY FAMILIAR WITH THE INSTALLATION PROCEDURES, YOU SHOULD HAVE THE PRODUCT INSTALLED BY A PROFESSIONAL INSTALLER OR OTHER QUALIFIED PERSONNEL.

# 1 FIT REPLACEMENT BUMPER

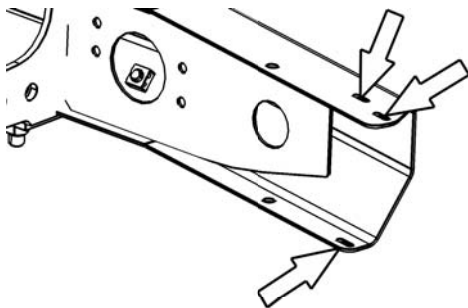
(A) Disconnect the lights attached to the Original Front Bumper. Unbolt and remove the Original Front Bumper from the vehicle.

(B) Slide the Replacement Front Bumper into position, lining up Hole "A" (Refer to Page 1) in the Bumper with the rear mounting hole in the vehicle's chassis. Only two mounting points are required per side. Depending on the vehicle model and configuration either Hole "C" or Hole "D" (Refer to Page 1) will be used as the second mounting point. Once the Bumper has been aligned, secure the Bumper to the vehicle using the original bolts removed in Step 1A.

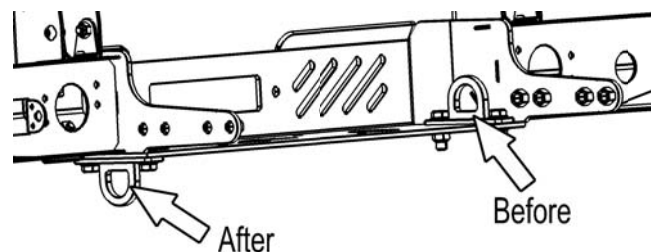
(C) The original lights removed from the vehicle in Step 1A may be discarded or fitted to the underside of the Replacement Front Bumper using Hole "E" as indicated. Alternately, suitable aftermarket lights may be fitted to the top of the Replacement Front Bumper using Hole "F" as indicated.



(D) Remove the Plastic End Caps for the Original Front Bumper and fit them to the Replacement Front Bumper as shown, using the original fasteners and three mounting holes as indicated by the arrows.



(E) The Towing Eyes come loosely fastened on the inside of the Front Replacement Bumper for shipping purposes. Loosen the Towing Eyes and secure them to the underside or the Replacement Bumper as shown.



Congratulations, you have completed your installation. Take a step back and admire your work. Good Job!