



**FRONT RUNNER**

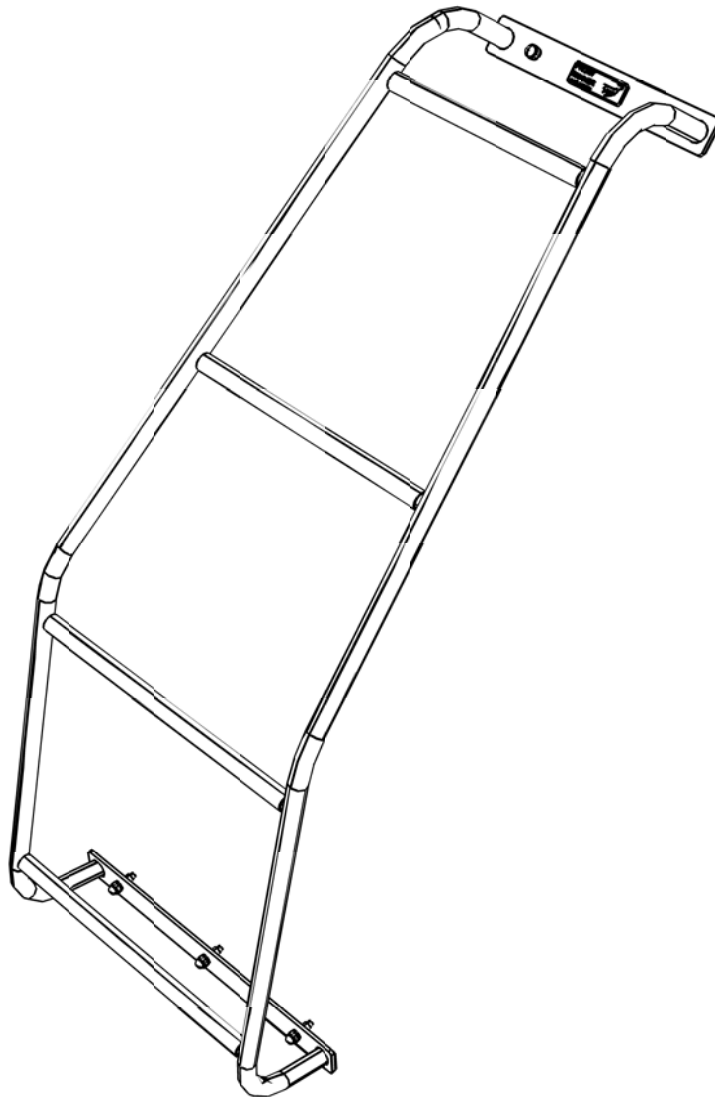
**NISSAN PATROL (Y61)  
REAR MOUNT LADDER**

**ENG**

LANP002



**INSTALL TIME: 30 mins**



### **IMPORTANT WARNING!**

**IT IS CRITICAL THAT ALL FRONT RUNNER PRODUCTS BE PROPERLY AND SECURELY ASSEMBLED AND ATTACHED TO YOUR VEHICLE. IMPROPER ATTACHMENT COULD RESULT IN AN AUTOMOBILE ACCIDENT, AND COULD CAUSE SERIOUS BODILY INJURY OR DEATH TO YOU OR TO OTHERS. YOU ARE RESPONSIBLE FOR ASSEMBLING AND SECURING ALL FRONT RUNNER PRODUCTS TO YOUR VEHICLE, CHECKING THE ATTACHMENTS PRIOR TO USE, AND PERIODICALLY INSPECTING THE PRODUCTS FOR ADJUSTMENT, WEAR, AND DAMAGE. THEREFORE, YOU MUST READ AND UNDERSTAND ALL OF THE INSTRUCTIONS AND CAUTIONS SUPPLIED WITH YOUR FRONT RUNNER PRODUCT PRIOR TO INSTALLATION OR USE. IF YOU DO NOT UNDERSTAND ALL OF THE INSTRUCTIONS AND CAUTIONS, OR IF YOU HAVE NO MECHANICAL EXPERIENCE AND ARE NOT THOROUGHLY FAMILIAR WITH THE INSTALLATION PROCEDURES, YOU SHOULD HAVE THE PRODUCT INSTALLED BY A PROFESSIONAL INSTALLER OR OTHER QUALIFIED PERSONNEL.**

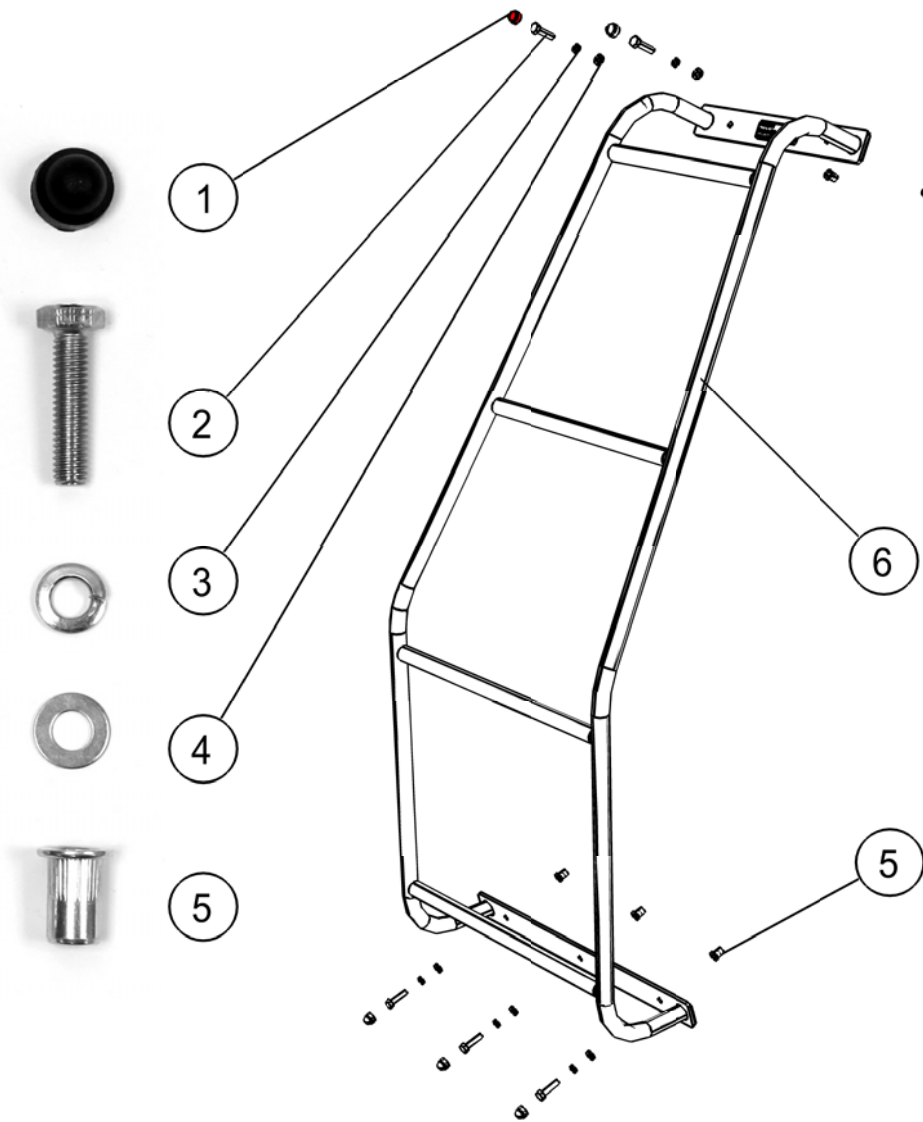
# 1 GET ORGANIZED

Here is what you are looking at:

Item #	Quantity	Description
1	5	M6 NUT CAP
2	5	M6 x 25 HEX BOLT
3	5	M6 SPRING WASHER
4	5	M6 x 19 FLAT WASHER
5	5	M6 RIVNUT
6	1	LADDER

You will need :

- 10 mm Flat or Socket Wrench
- Marking Pen
- Measuring Tape
- 4 & 9 mm Drill Bit
- Drill Machine
- Antirust
- Rivnut Tool



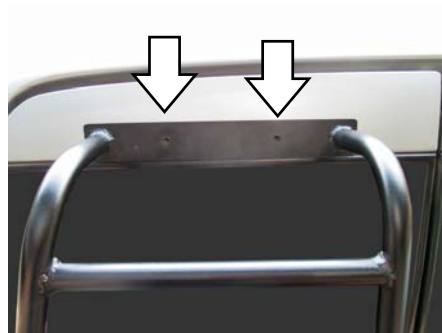
**(A)** Familiarize yourself with the parts and then step away from the work area and read through these instructions from beginning to end. Take a moment as a little prep now may save you a lot of time later.

## 2 FIT THE LADDER

- (A) Working on the left hand rear door, position the Ladder (Item 6) 90 mm from the right edge of the door and align it to the top of the door's window as shown.



- (B) Once you are happy with the positioning of the Ladder, mark the two mounting holes as indicated by the arrows onto the vehicle's body.



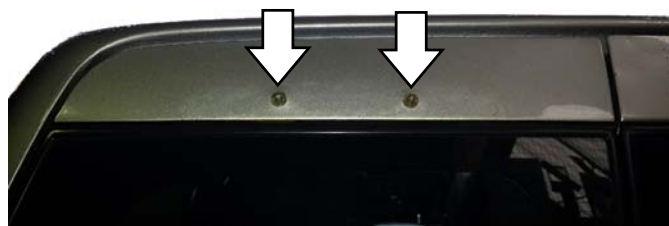
- (C) Before drilling the holes in the vehicle's door, you need to do a bit of prep. Take both the 4 & 9 mm drill bits. Using some insulation tape, wrap a band of tape around the drill bit to act as a marker to prevent you from drilling too deep.



10 mm from tip of drill bit to start of tape.

- (D) Using the 4mm drill bit, drill a pilot hole in the center of each of your two markings from Step 2B. Change to the 9mm drill bit and re-drill the 4mm holes to 9mm.

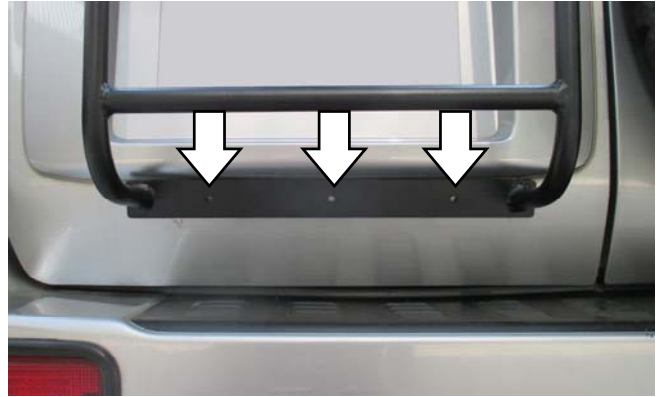
- (E) Apply some anti rust on the exposed metal of each hole. Insert and clinch a M6 Rivnut (Item 5) into each of the 9mm holes



## 2 FIT LADDER CONT...

- ( F ) Position the Ladder on the vehicle and loosely secure it in place using two M6 x 25 Hex Bolts, two M6 Spring Washers and two M6 x 19 Flat Washers (Items 2, 3, 4).

- ( G ) Mark the position of the three bottom mounting holes, as indicated by the arrows, onto the vehicle's body. Remove the Ladder and repeat Steps 2D & 2E.



- ( G ) Position the Ladder back onto the vehicle and secure in place using the fasteners supplied as in Step 2F. Place a M6 Nut Cap (Item 1) over the head of each bolt once fully tightened.

**Congratulations, you have completed your installation. take a Step back and admire your work. Good Job!**



## 3 INSTALL OTHER VEHICLE AND RACK ACCESSORIES

- ( A ) Now's the time to visit your favorite Front Runner dealer in person or online.