



**FRONT RUNNER**

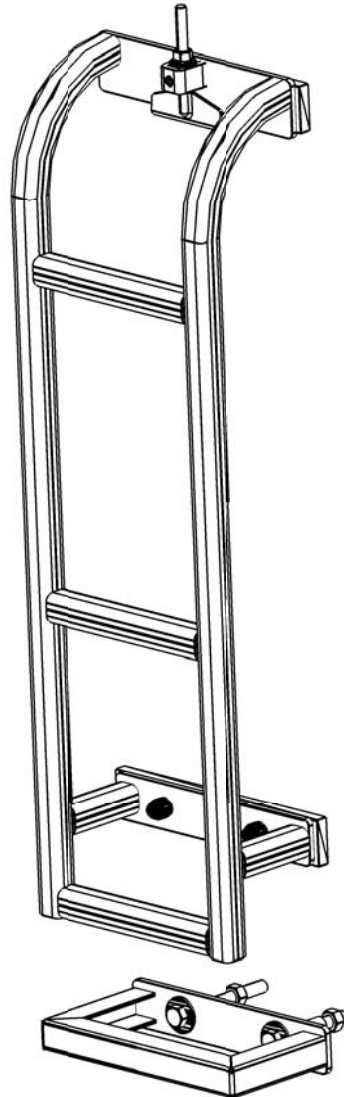
**DEFENDER 90 / 110  
2 PIECE RRear MOUNT LADDER**

**ENG**

LALD001



**INSTALL TIME: 1 Hour**



### **IMPORTANT WARNING!**

**IT IS CRITICAL THAT ALL FRONT RUNNER PRODUCTS BE PROPERLY AND SECURELY ASSEMBLED AND ATTACHED TO YOUR VEHICLE. IMPROPER ATTACHMENT COULD RESULT IN AN AUTOMOBILE ACCIDENT, AND COULD CAUSE SERIOUS BODILY INJURY OR DEATH TO YOU OR TO OTHERS. YOU ARE RESPONSIBLE FOR ASSEMBLING AND SECURING ALL FRONT RUNNER PRODUCTS TO YOUR VEHICLE, CHECKING THE ATTACHMENTS PRIOR TO USE, AND PERIODICALLY INSPECTING THE PRODUCTS FOR ADJUSTMENT, WEAR, AND DAMAGE. THEREFORE, YOU MUST READ AND UNDERSTAND ALL OF THE INSTRUCTIONS AND CAUTIONS SUPPLIED WITH YOUR FRONT RUNNER PRODUCT PRIOR TO INSTALLATION OR USE. IF YOU DO NOT UNDERSTAND ALL OF THE INSTRUCTIONS AND CAUTIONS, OR IF YOU HAVE NO MECHANICAL EXPERIENCE AND ARE NOT THOROUGHLY FAMILIAR WITH THE INSTALLATION PROCEDURES, YOU SHOULD HAVE THE PRODUCT INSTALLED BY A PROFESSIONAL INSTALLER OR OTHER QUALIFIED PERSONNEL.**

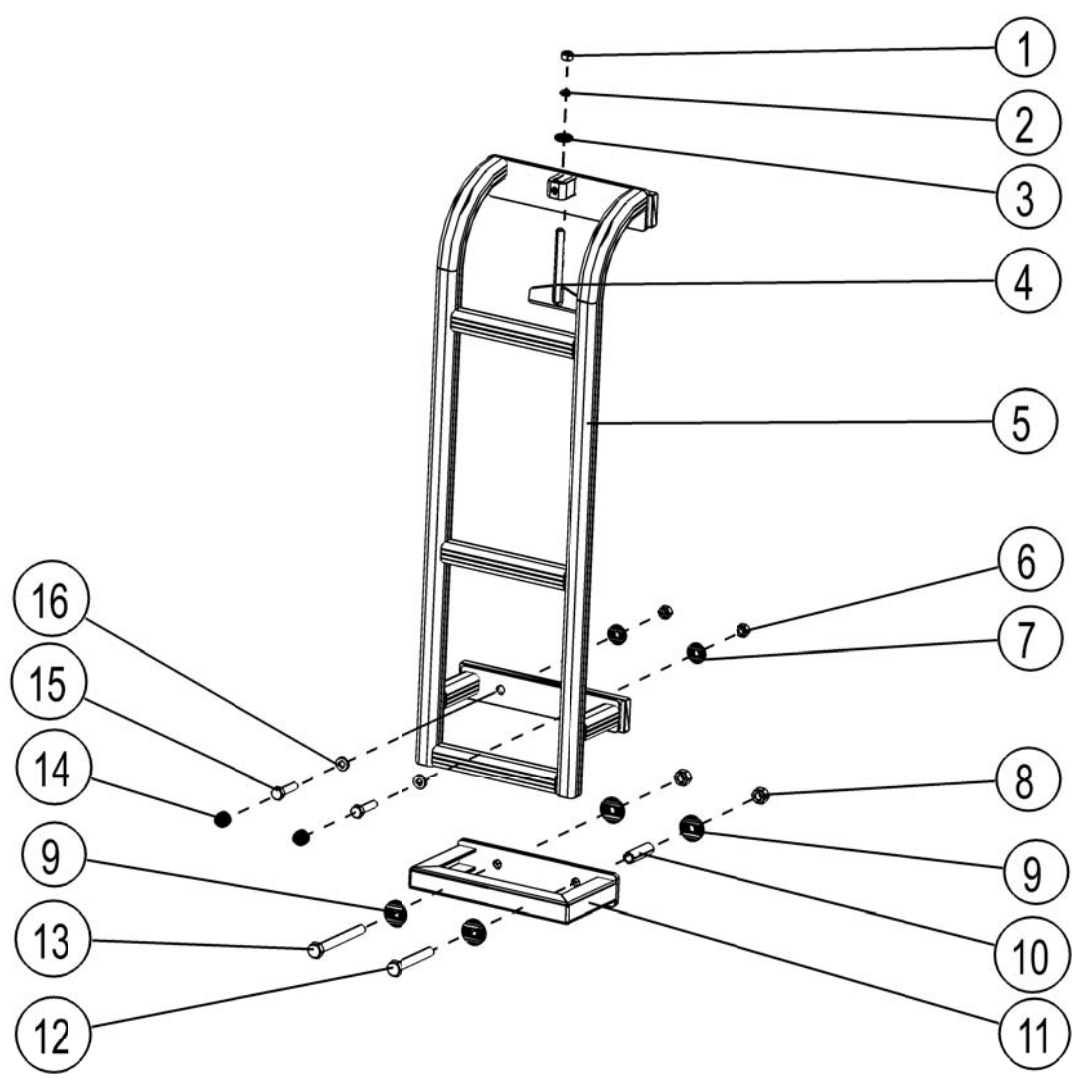
# 1

## GET ORGANIZED

Here is what you are looking at:

Item #	Quantity	DESCRIPTION
1	2	M8 HEX NUT
2	1	M8 SPRING WASHER
3	1	M8x19x3 FLAT WASHER
4	1	GUTTER CLAMP
5	2	LADDER
6	2	M8 NYLOC NUT
7	2	M8x25x2 FLAT WASHER
8	2	M10 NYLOC NUT
9	4	M10x30x3 FLAT WASHER
10	1	SPACER
11	1	FOOT PIECE
12	1	M10x100 HEX BOLT
13	1	M10x80 HEX BOLT
14	2	M8 NUT CAP
15	2	M8x35 HEX BOLT
16	2	M8 FLAT WASHER

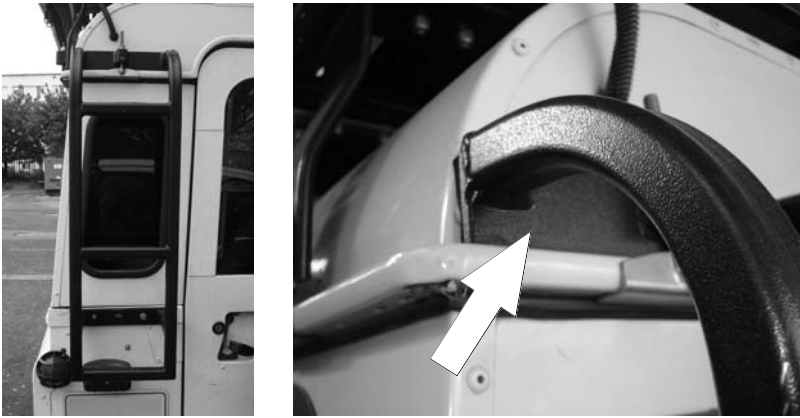
- You will need:**
- Land Rover 90/110
  - 13 mm & 17 mm Flat & Socket Wrench
  - 4 mm Allen key (Supplied)
  - Drill machine
  - 6 mm & 8.5 mm Drill bit
  - Marking pen



**(A)** Familiarize yourself with the parts and then step away from the work area and read through these instructions from beginning to end. Take a moment as a little prep now may save you a lot of time later.

## 2 INSTALLATION OF THE LADDER

- (A) Place the Ladder into the vehicle's gutter and line it up shown.

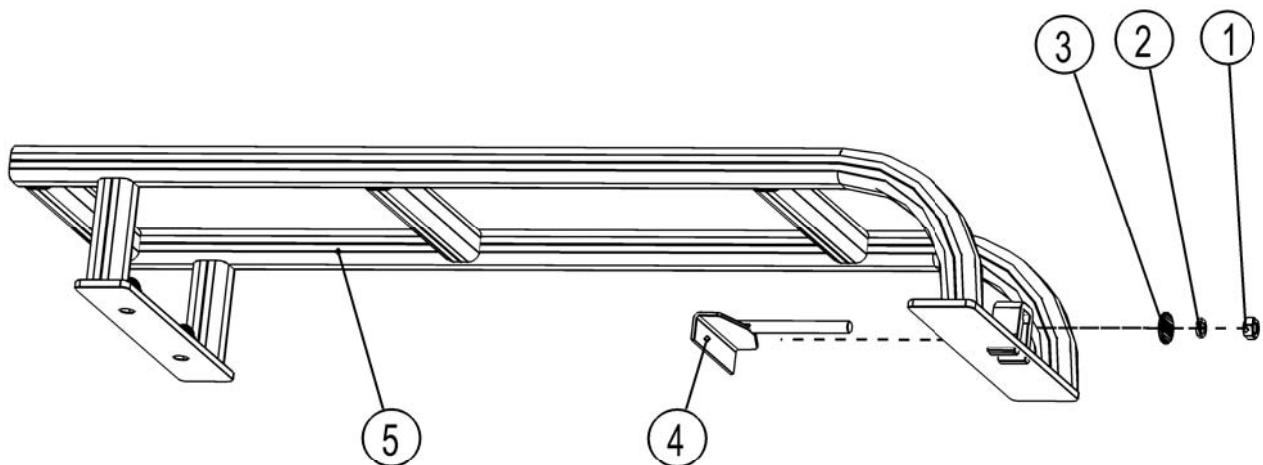


- (B) Inside the vehicle remove the rear left window cover and speaker box.

Make sure the Ladder is straight with the body. Mark the two holes in the bottom of the Ladder on the vehicle's body and remove the Ladder. Using a drill machine and a 6 mm drill bit, drill two pilot holes and your markings. Change to a 8.5 mm drill bit and drill the pilot holes to 8.5 mm.



- (C) Insert the Gutter Clamp (item 4) into the Ladder (Item 5) as shown. Secure it using the M8 x 19 x 2 Flat Washer, M8 Spring Washer and a M8 Hex Nut (Items 1, 2, 3). Do not tighten.

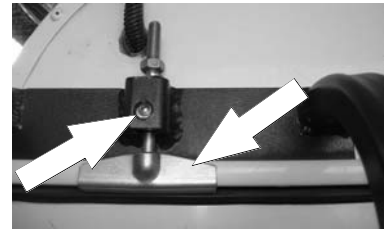


## 2 INSTALLATION OF THE LADDER CONT...

- ( D ) Place the Ladder back onto the vehicle with the Gutter Clamp under the rain gutter as shown, lining up the holes in the bottom of the Ladder with the holes drilled in Step 2B.

Insert two M8 x35 Hex Bolts and with M8 Flat Washers (Items 15 &16) through the two bottom holes in the Ladder and fasten on the inside of the vehicle using two M8 x25 x2 Flat Washers and M8 Nyloc Nuts (Items 6 &7). Place the two Plastic Nut Caps (Item 14) provided over the Hex Bolts. Refit rear left window cover and speaker box.

Tighten the M8 Hex Nut on the Gutter Clamp, followed by the Grub Screw. Take care not to over tighten the Hex Nut or Grub Screw.

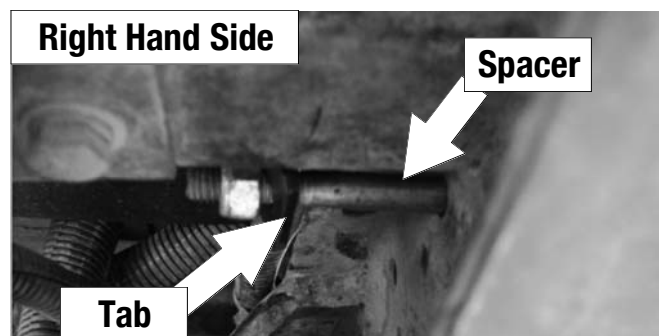
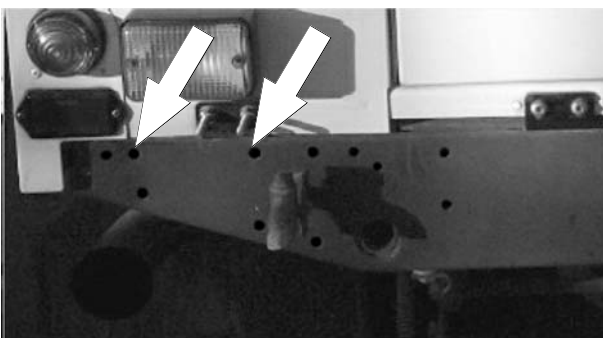


## 3 INSTALLATION OF FOOT PIECE

- ( A ) Remove the two original bolts from the bumper and place the Foot Piece (Item 11) on the body so it lines up with the two holes in the bumper as shown. In the hole to the right, insert a M10 x100 Hex Bolt with a M10 x30 x 2 Flat Washer (Items 9 &12). Looking behind the bumper, insert the Spacer (Item 10) between the bumper and the "Tab" attached to the body/bumper. feed the Hex Bolt through the Spacer and loosely fasten using a M10 x30 x2 Flat Washer and M10 Nyloc Nut (Items 8&9) on the inside.

For the left side, insert the M10 x80 Hex Bolt and M10 x30 x2 Flat Washer Items (9 &13) and loosely fasten using a M10 x30 x2 Flat Washer and M10 Nyloc Nut (Items 8 &9).

To complete the job, align the Foot Piece with the Ladder and tighten all the bolts.



## 4 INSTALL OTHER VEHICLE AND RACK ACCESSORIES

- ( A ) Now's the time to visit your favorite Front Runner dealer in person or online.