



**FRONT RUNNER**

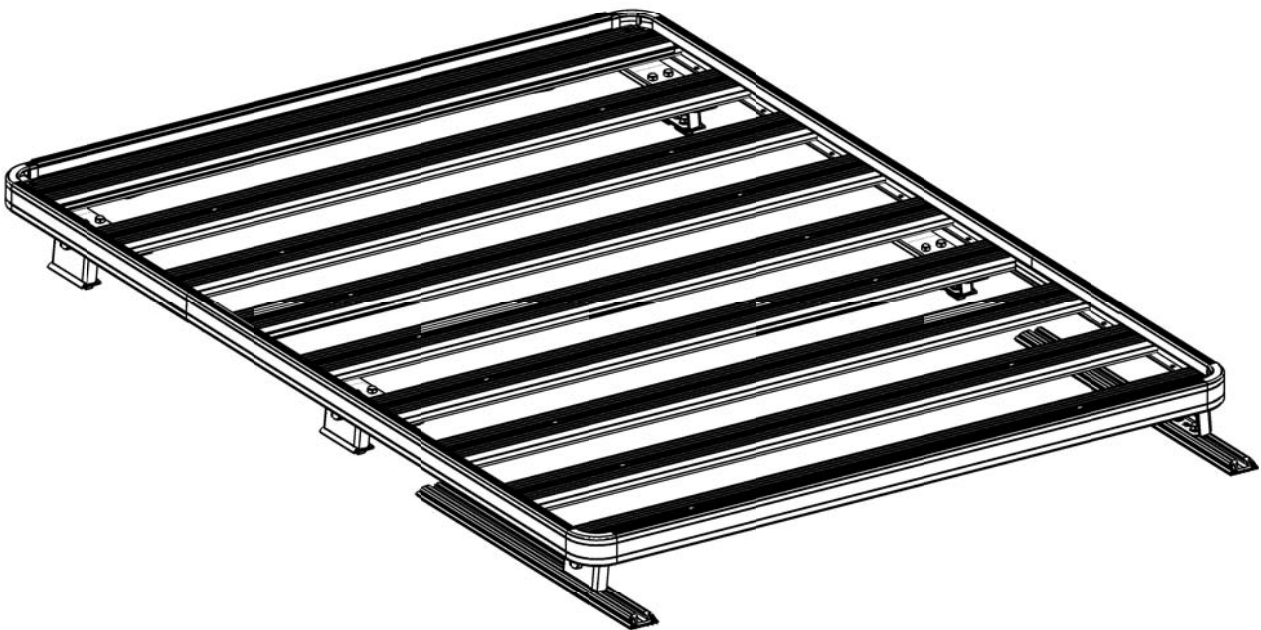
**LAND ROVER FREELANDER 2  
SLIMLINE II RACK  
( 1255MM X 1762MM )**

**ENG**

KRLF001T



**INSTALL TIME: 1 Hours 30 Mins**



### **IMPORTANT WARNING!**

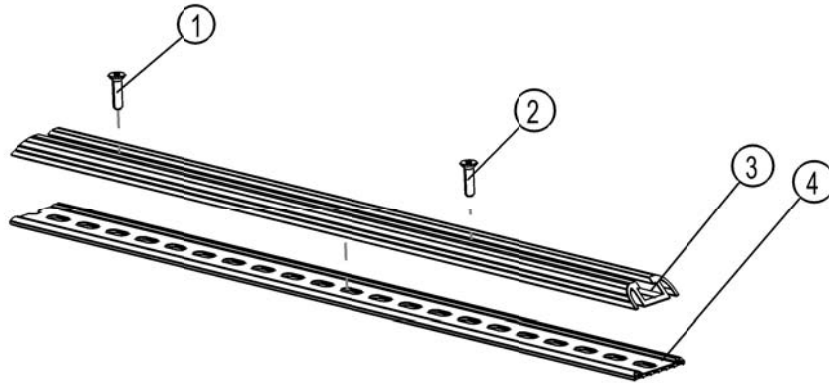
**IT IS CRITICAL THAT ALL FRONT RUNNER PRODUCTS BE PROPERLY AND SECURELY ASSEMBLED AND ATTACHED TO YOUR VEHICLE. IMPROPER ATTACHMENT COULD RESULT IN AN AUTOMOBILE ACCIDENT, AND COULD CAUSE SERIOUS BODILY INJURY OR DEATH TO YOU OR TO OTHERS. YOU ARE RESPONSIBLE FOR ASSEMBLING AND SECURING ALL FRONT RUNNER PRODUCTS TO YOUR VEHICLE, CHECKING THE ATTACHMENTS PRIOR TO USE, AND PERIODICALLY INSPECTING THE PRODUCTS FOR ADJUSTMENT, WEAR, AND DAMAGE. THEREFORE, YOU MUST READ AND UNDERSTAND ALL OF THE INSTRUCTIONS AND CAUTIONS SUPPLIED WITH YOUR FRONT RUNNER PRODUCT PRIOR TO INSTALLATION OR USE. IF YOU DO NOT UNDERSTAND ALL OF THE INSTRUCTIONS AND CAUTIONS, OR IF YOU HAVE NO MECHANICAL EXPERIENCE AND ARE NOT THOROUGHLY FAMILIAR WITH THE INSTALLATION PROCEDURES, YOU SHOULD HAVE THE PRODUCT INSTALLED BY A PROFESSIONAL INSTALLER OR OTHER QUALIFIED PERSONNEL.**

# 1 MOUNT THE TRACKS

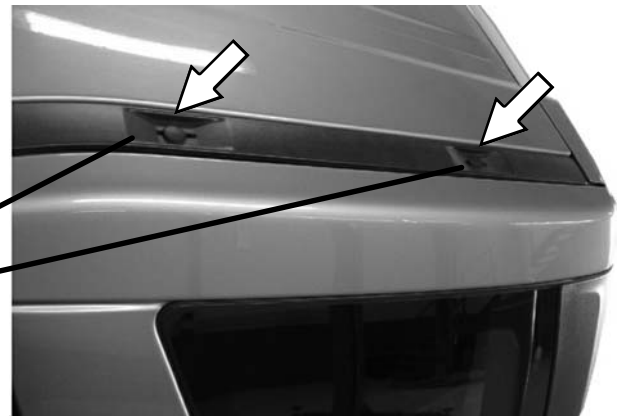
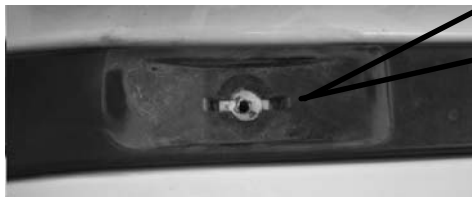
Item #	Quantity	Description
1	4	M6 x 25 COUNTERSUNK BOLT
2	2	ROOF TRACK
3	2	RUBBER TRACK LINING

## You will need:

- Panel Tool or Flat Screw Driver
- 4 mm Hex Key
- Scissors or Utility Knife
- Silicone



- (A) Looking at the raised section of the vehicle's roof, locate the two depressions in the vehicle's Ditch Moulding and remove the plastic clips to expose the Threaded Mounting Points as shown.



- (B) The Roof Tracks (Item 3) ship with the Rubber Track Lining (Item 4) loosely fitted in place. There are two quick steps to prep the Lining and Tracks. First, remove the paper to expose the glue. Then carefully center the holes in the Lining with the holes in the Track and press the Lining into place. Now grab your scissors and trim the rubber at the end of each Track so it doesn't overhang. You can cut an angle with the slant of the Track, or make a straight cut. (You might want to practice first).

- (C) Put a small amount of silicone over each mounting point from Step 2A. Place the Tracks onto the vehicle's roof, lining up the holes in the Track with Mounting Points in the vehicle's roof. Fasten the Tracks to the vehicle using the M6 x 25 Countersunk Bolts (Items 1) supplied.



## 2

# MOUNT THE BOTTOM FEET

REFER TO FOOT ASSEMBLY INSTRUCTION - DOCUMENT FASSUNI

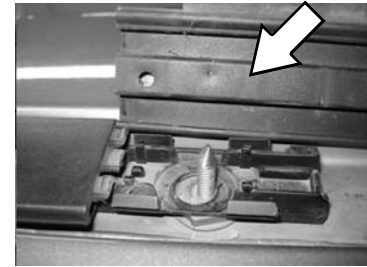
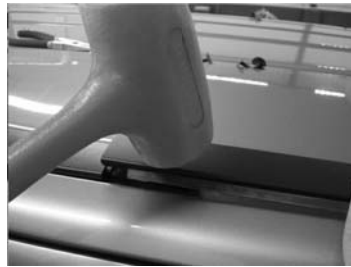
### You will need:

- Panel Tool or Flat Screw Driver
- 10 mm Flat or Socket Wrench
- 7 mm Drill Bit
- Drill Machine
- Rubber Hammer
- Sharpened M6 Stud for Step 2B
- Silicone

- (A) Using a flat screwdriver or panel tool, remove the section of Ditch Moulding that runs above the doors along the vehicle's roof. Locate the two mounting points either side found under the Ditch Moulding and remove the Plastic Clips.



- (B) Insert a sharpened M6 stud, with the sharpened end facing up into each mounting point. Place the Ditch Moulding back onto the vehicle. Gently tap the Ditch Moulding above each stud, marking the position of the Mounting Point onto the Ditch Moulding. Remove the Ditch Moulding and studs.

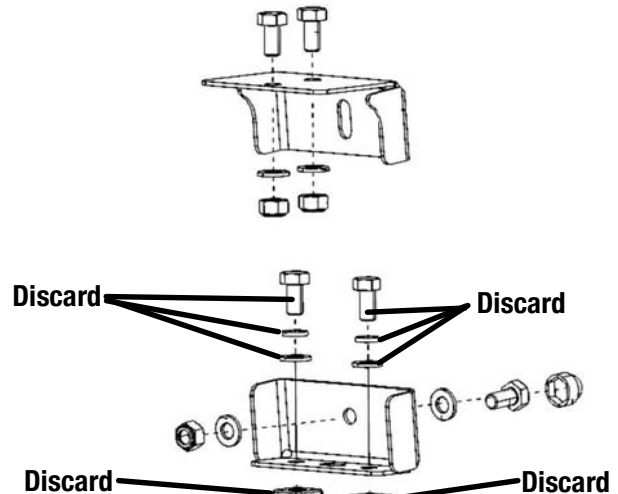


- (C) Using a 7 mm drill bit and drill machine, drill two holes into each Ditch Moulding on the marks from Step 2B.

Fit the Ditch Mouldings back onto the vehicle lining up the drilled holes with the mounting points in the vehicle's roof.

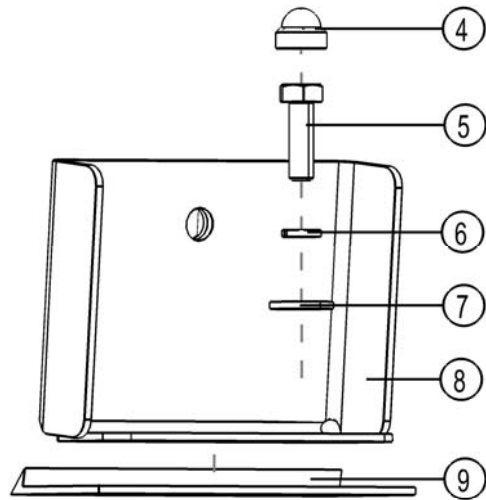


- (D) If your Feet came assembled, disassemble Foot assemblies FASS003 and FASS005 as shown below. Make sure to keep them separate. Discard the Bolts, Washers and Carriage Nut as indicated below. Foot FASS002 is fitted as supplied.

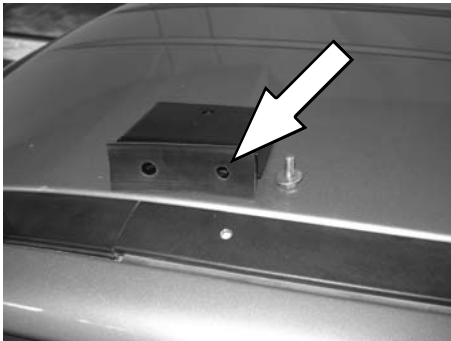


## 2 MOUNT THE BOTTOM FEET CONT...

Item #	Quantity	Description
4	4	M6 Nut Cap (Supplied with Tracks)
5	4	M6 x 25 Hex Bolt (Supplied with Tracks)
6	4	M6 Spring Washer (Supplied with Tracks)
7	4	M6 x 19 x 1 Flat Washer (Supplied with Tracks)
8	4	Bottom Foot - 2 x FASS003, 2 x FASS005
9	4	Rubber Pad (Supplied with Tracks)

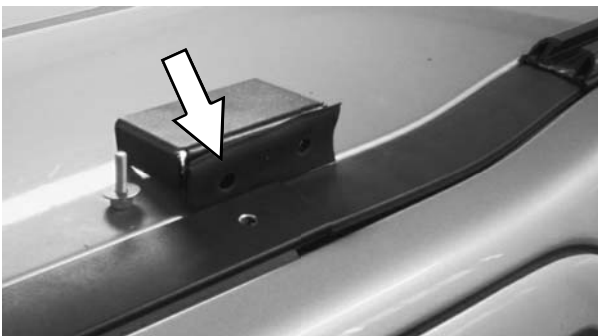


- ( E ) Place a Rubber Pad (Item 9) underneath the Bottom Foot (Item 8) of FASS005 with the "Lip" facing up and to the outside of the Foot. Secure the Foot to the vehicle using the rear hole as indicated to the front mounting point of the vehicle using one of the M6 x 25 Hex Bolts, one M6 Spring Washer and one M6 x 19 x 1 Flat Washer (Items 5, 6, 7) supplied with the Tracks.



← Front of vehicle

- ( D ) Place a Rubber Pad (Item 9) underneath the Bottom Foot (Item 8) of FASS003 with the "Lip" facing up and to the outside of the Foot. Secure the Foot to the vehicle using the front hole as indicated to the rear mounting point of the vehicle using one of the M6 x 25 Hex Bolts, one M6 Spring Washer and one M6 x 19 x 1 Flat Washer (Items 5, 6, 7) supplied with the Tracks.



Rear of vehicle →

### 3

## ASSEMBLE YOUR SLIMLINE II RACK

REFER TO SLIMLINE II TRAY UNIVERSAL ASSEMBLY INSTRUCTION (DOCUMENT RRSTUNI)



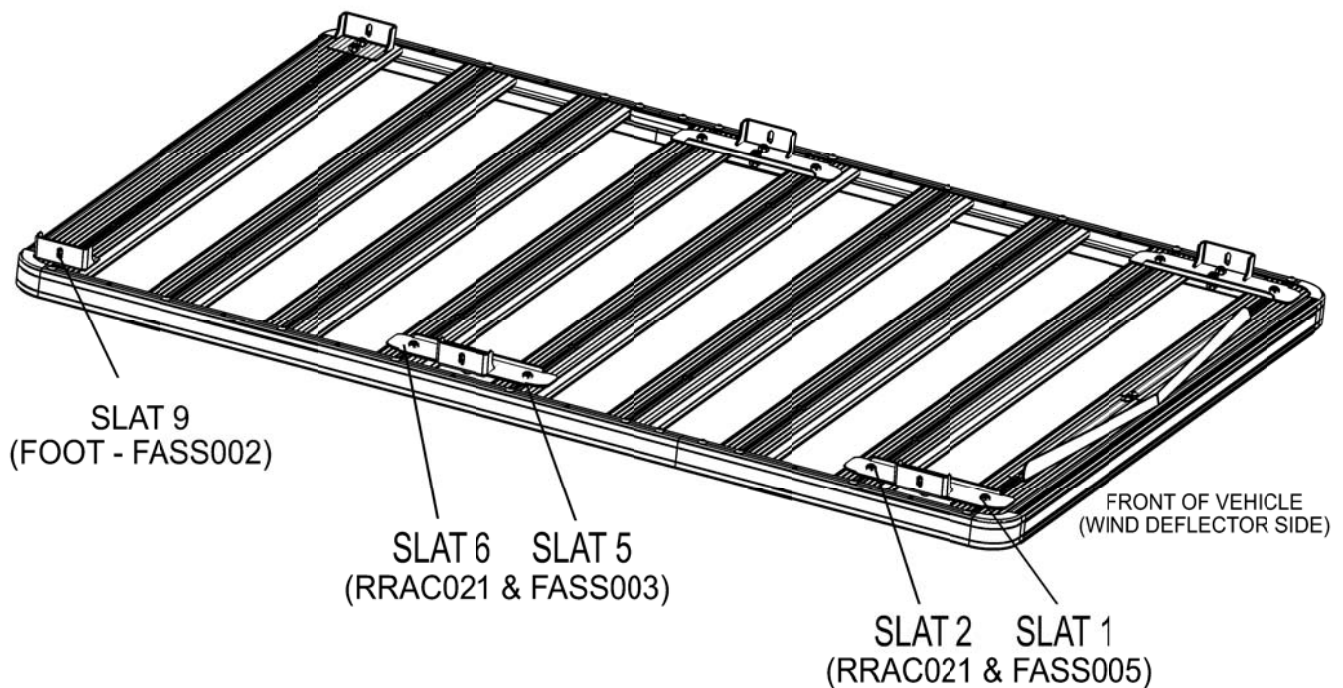
Your Tray Kit comes shipped with two sets of Wind Deflectors. Use the Thinner/Narrower Set (Item WDST010) when assembling your Tray. The Larger/Wider Set may be discarded.

### 4

## FIT THE FEET

REFER TO FOOT ASSEMBLY & SLIMLINE II TRAY FOOT ADAPTER INSTRUCTIONS (DOCUMENTS FASSUNI & RRAC021)

- (A) With your Rack in the upside down position (Product sticker should be upside down), fit the Foot Adapter Plates and top of the Feet to your Slimline II Tray as illustrated below.



**NOTE:** DO NOT SLIDE THE RACK AND FEET ACROSS THE ROOF! If there is a chance that you are going to set the roof rack on to the roof, place some moving blankets and/or towels over the roof. If you must lower the rack before it is in position, carefully set the Feet on the padded surface.

Once your Slimline II Roof Rack is fitted, ensure a 15mm clearance is maintained between the Wind Deflector and the vehicles roof otherwise damage to the roof may occur. Bend the Wind Deflector by hand if necessary.

## **5 MOUNT THE RACK TO YOUR VEHICLE**

REFER TO FOOT ASSEMBLY INSTRUCTION (DOCUMENT FASSUNI)

- ( **A** ) Insert one of the Bottom Feet from FASS002 into each of the rear Tracks and space according to the distances between the Top Feet fitted to the Rack in Step 3 (Document FASSUNI).

Grab your friend and with one of you on each side of the Rack, flip the rack end over end (Prevents the Hex Bolts from falling out the machines slots) so that the Feet are facing down. Approach the vehicle from the rear, lifting the Rack up and over the roof.

Bring the rack down slowly lining up the Top and Bottom Feet and loosely fasten. Using a tape measure, center the Rack left to right. Ensure that the Rack is level - front to back and left to right - before tightening. Fit the M8 Nut Caps provided to the exposed Hex Bolts and Nyloc Nuts.



**Congratulations, you have completed your installation. Take a step back and admire your work. Good Job!**

## **6 TAKE A TRIP**

- ( **A** ) After your first adventure, check that all nuts, bolts, screws and fittings are tight. Re-tighten where needed. You'll find a small amount of settling has happened.

Go on many more adventures, periodically checking all nuts, bolts, screws and fittings.



**Front Runner can not recommend a maximum load carrying capacity. Please refer to your vehicle manufacturer's recommendations.**