



FRONT RUNNER

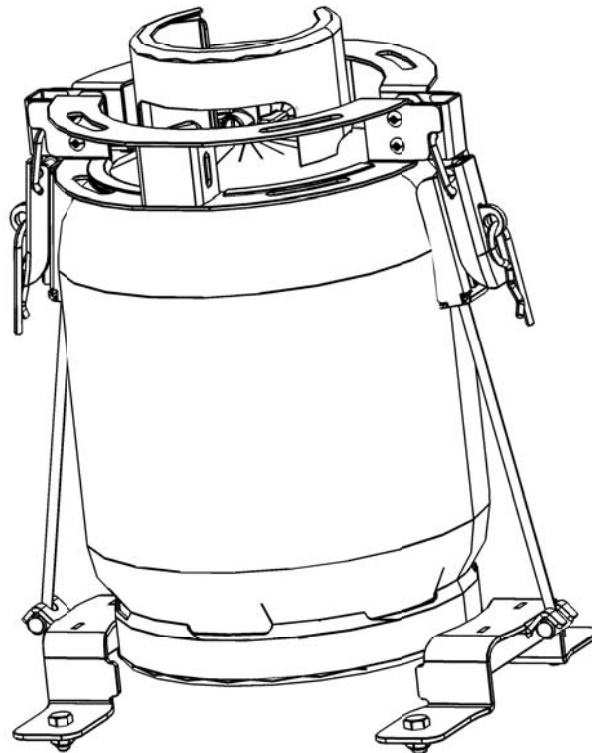
**UNIVERSAL
GAS BOTTLE HOLDER**

ENG

GBH0011



INSTALL TIME: 15 mins



IMPORTANT WARNING!

IT IS CRITICAL THAT ALL FRONT RUNNER PRODUCTS BE PROPERLY AND SECURELY ASSEMBLED AND ATTACHED TO YOUR VEHICLE. IMPROPER ATTACHMENT COULD RESULT IN AN AUTOMOBILE ACCIDENT, AND COULD CAUSE SERIOUS BODILY INJURY OR DEATH TO YOU OR TO OTHERS. YOU ARE RESPONSIBLE FOR ASSEMBLING AND SECURING ALL FRONT RUNNER PRODUCTS TO YOUR VEHICLE, CHECKING THE ATTACHMENTS PRIOR TO USE, AND PERIODICALLY INSPECTING THE PRODUCTS FOR ADJUSTMENT, WEAR, AND DAMAGE. THEREFORE, YOU MUST READ AND UNDERSTAND ALL OF THE INSTRUCTIONS AND CAUTIONS SUPPLIED WITH YOUR FRONT RUNNER PRODUCT PRIOR TO INSTALLATION OR USE. IF YOU DO NOT UNDERSTAND ALL OF THE INSTRUCTIONS AND CAUTIONS, OR IF YOU HAVE NO MECHANICAL EXPERIENCE AND ARE NOT THOROUGHLY FAMILIAR WITH THE INSTALLATION PROCEDURES, YOU SHOULD HAVE THE PRODUCT INSTALLED BY A PROFESSIONAL INSTALLER OR OTHER QUALIFIED PERSONNEL.

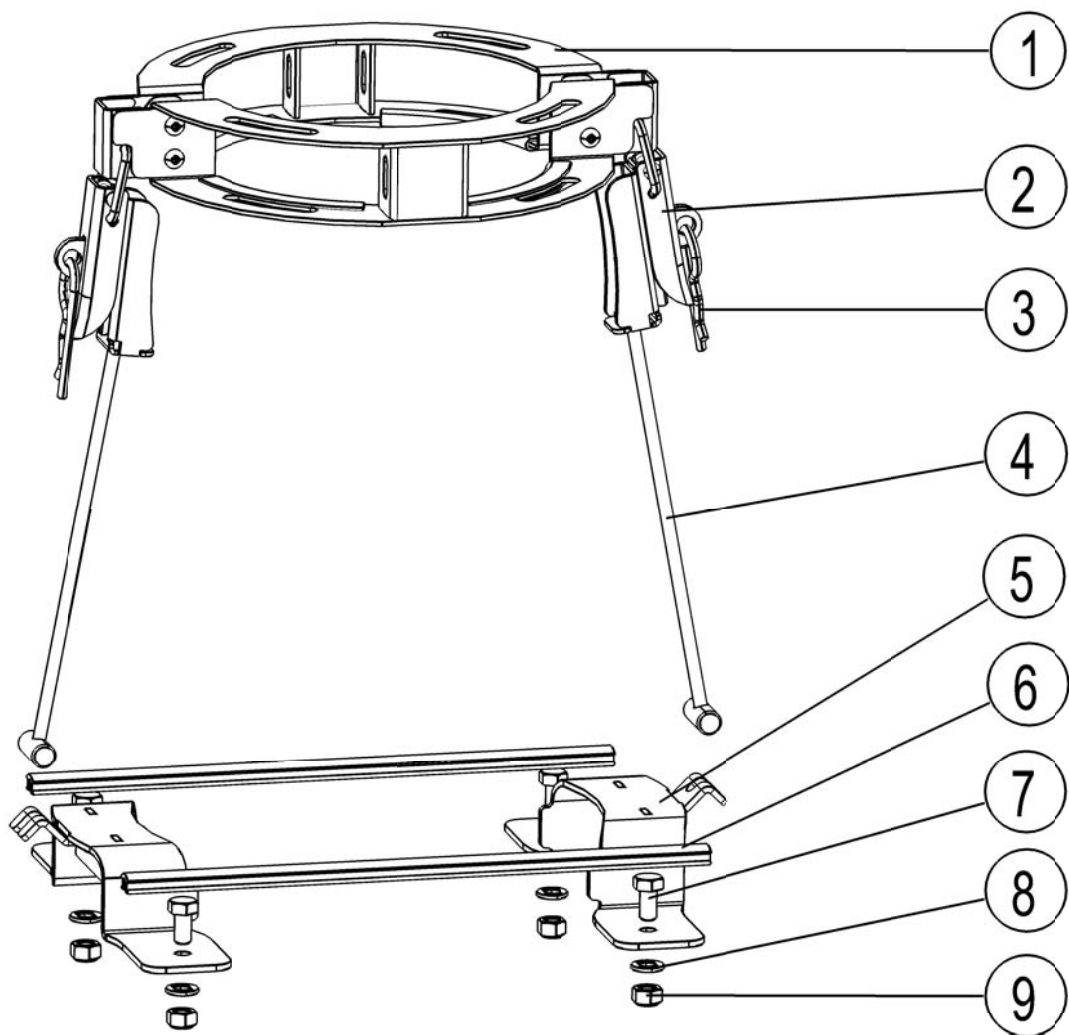
1 GET ORGANIZED...

Here is what you are looking at:

Item#	Quantity	Description
1	2	SLAT
2	2	LATCH
3	2	R-CLIP
4	2	ADJUSTABLE ROD
5	2	BOTTLE CLAMP
6	2	RUBBER EXTRUSION
7	4	M8x16 HEX BOLT
8	4	M8 FLAT WASHER
9	4	M8 NYLOC NUT

You will need:

- Front Runner Slimline I/Slimline II or similar Rack
- 13 mm Wrench/Spanner
- Gas Bottle



(A) Familiarize yourself with the parts and then step away from the work area and read through these instructions from beginning to end. Take a moment as a little prep now may save you a lot of time later.

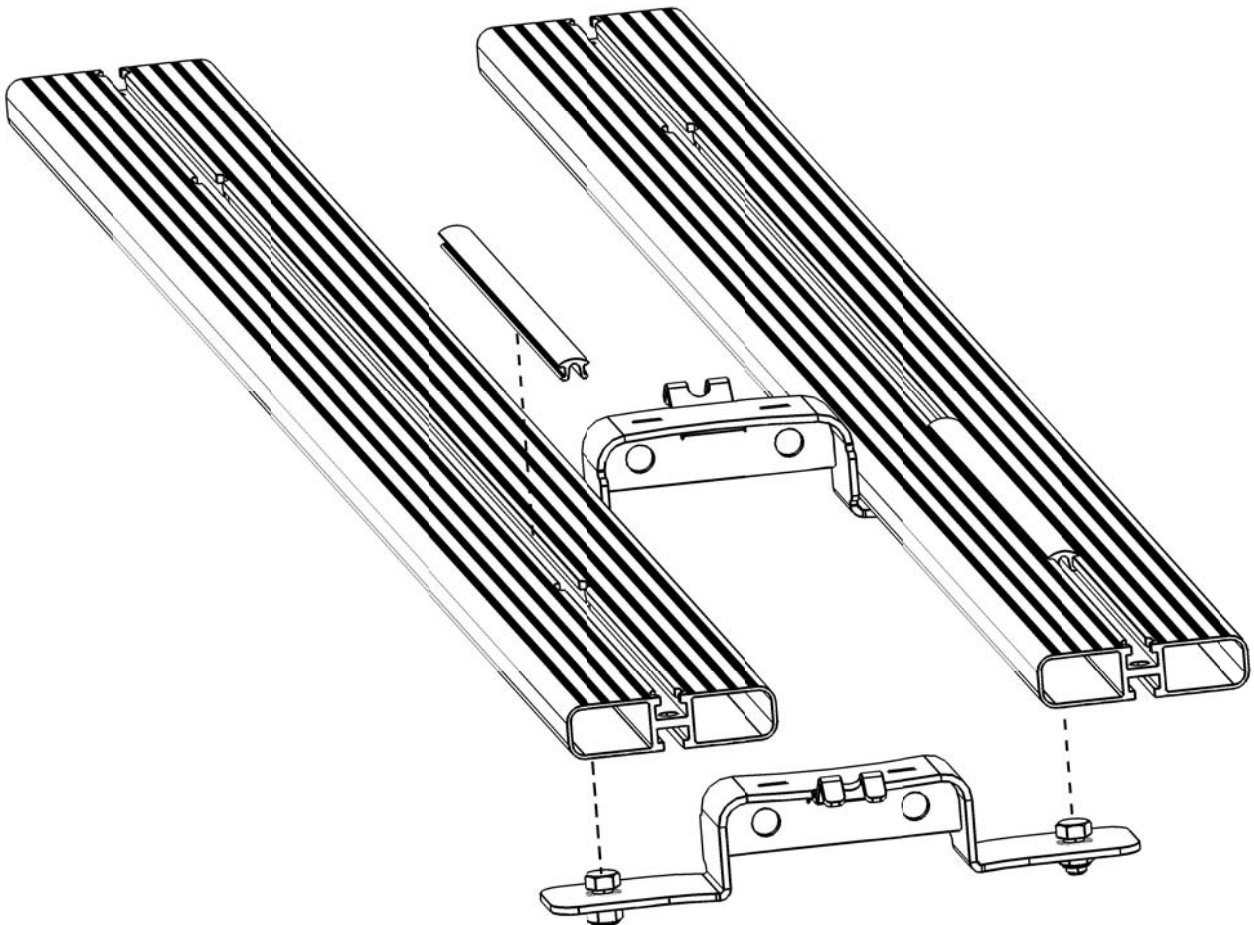
2

MOUNTING BOTTLE CLAMPS

- (A) Looking at your Rack, find a suitable place between two Slat to mount your Gas Bottle Holder. Underneath the two chosen Slat, slide the two Bottle Clamps on either side so the two M8x16 Hex Bolts locate in the cut out in the Slat.

On the top side of the two Slat, insert the Rubber Extrusion into the T-slot lining it up between the to Bottle Clamps. Place your Gas Bottle between the two Bottle Clamps and slide the Clamps together until they are touching up against the Gas Bottle. Tighten the four M8 Nyloc Nuts on the two Bottle Clamps using a 13 mm Wrench.

Note: The position of the bottle clamps will depend on the size of the gas bottle.



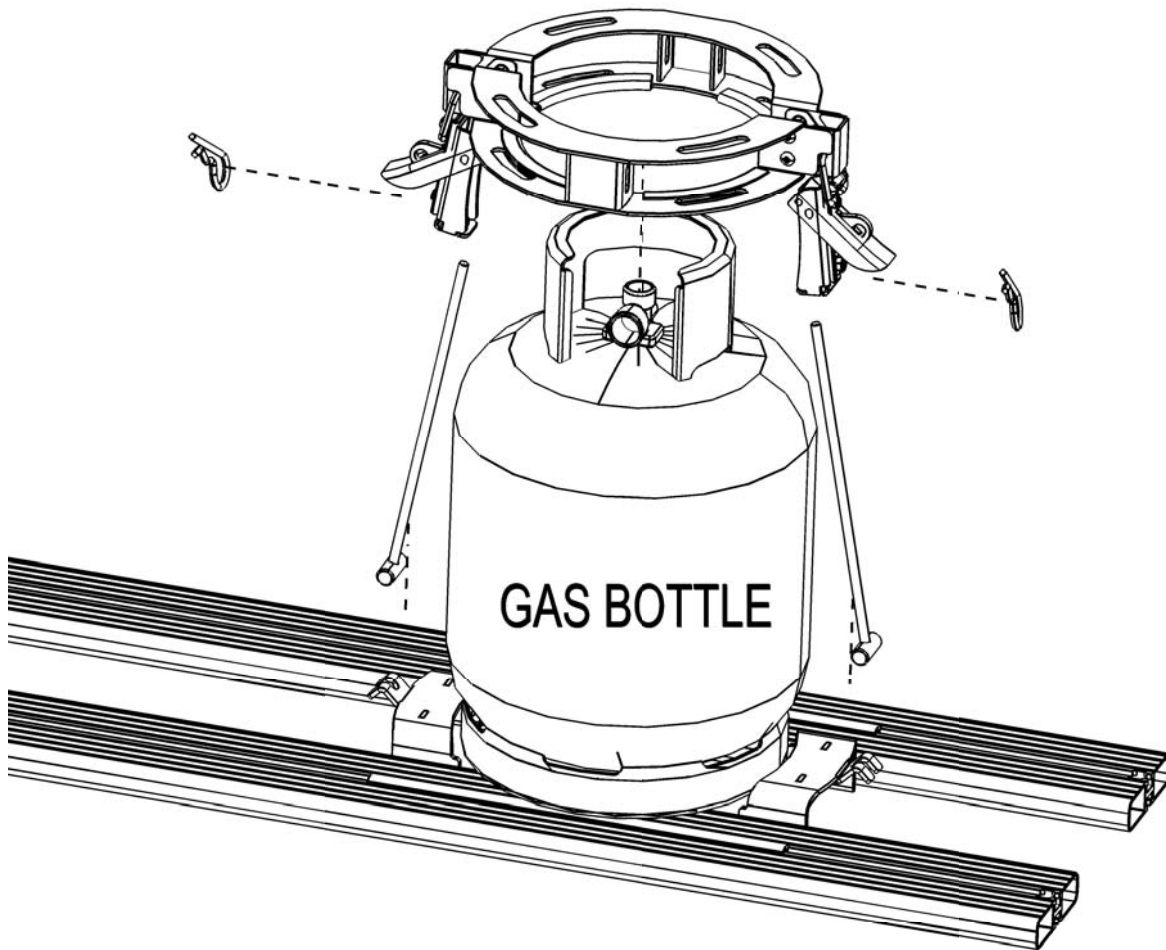
3 INSTALLING GAS BOTTLE HOLDER

- (B) Using the Collar, place it over the Gas Bottle so you can adjust the length of the two Adjustable Rods according to the height of the Gas Bottle. To adjust the height, screw the Adjustable Rods in or out of the Collar until the required height is obtained.

Insert the Adjustable Rods between the slots in the Bottle Clamps. Lock the Bottle in position by closing the two Latches. Place the two R-clips in the hole of the Latch.



Note: Make sure the Latch operation works smoothly and the Gas Bottle is secure when the two Latches are closed. Adjust the two Adjustable Rods if required.



4 INSTALL OTHER VEHICLE AND RACK ACCESSORIES

- (A) Now's the time to visit your favorite Front Runner dealer in person or online.