



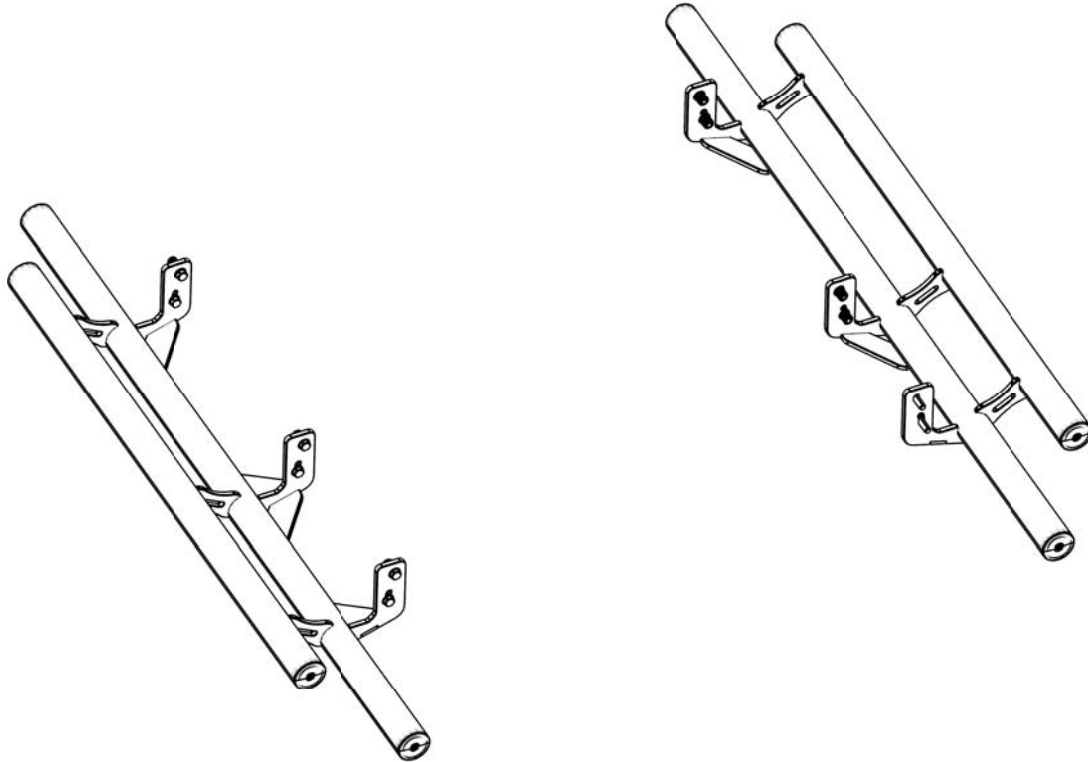
FRONT RUNNER

**MITSUBISHI PAJERO
SHORT WHEEL BASE
ROCK SLIDERS**

ENG

BPMP001

 **INSTALL TIME: 1 Hours**



IMPORTANT WARNING!

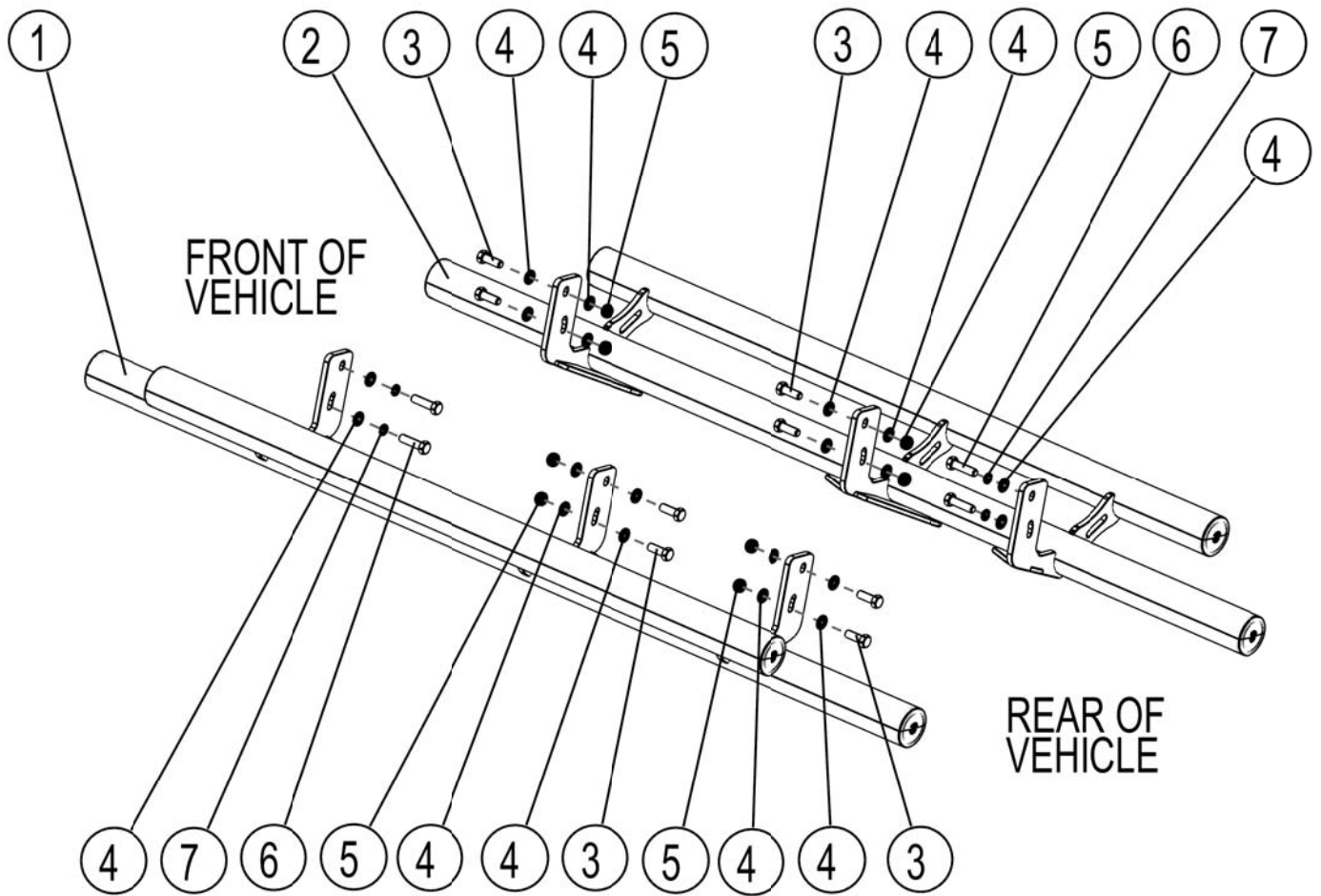
IT IS CRITICAL THAT ALL FRONT RUNNER PRODUCTS BE PROPERLY AND SECURELY ASSEMBLED AND ATTACHED TO YOUR VEHICLE. IMPROPER ATTACHMENT COULD RESULT IN AN AUTOMOBILE ACCIDENT, AND COULD CAUSE SERIOUS BODILY INJURY OR DEATH TO YOU OR TO OTHERS. YOU ARE RESPONSIBLE FOR ASSEMBLING AND SECURING ALL FRONT RUNNER PRODUCTS TO YOUR VEHICLE, CHECKING THE ATTACHMENTS PRIOR TO USE, AND PERIODICALLY INSPECTING THE PRODUCTS FOR ADJUSTMENT, WEAR, AND DAMAGE. THEREFORE, YOU MUST READ AND UNDERSTAND ALL OF THE INSTRUCTIONS AND CAUTIONS SUPPLIED WITH YOUR FRONT RUNNER PRODUCT PRIOR TO INSTALLATION OR USE. IF YOU DO NOT UNDERSTAND ALL OF THE INSTRUCTIONS AND CAUTIONS, OR IF YOU HAVE NO MECHANICAL EXPERIENCE AND ARE NOT THOROUGHLY FAMILIAR WITH THE INSTALLATION PROCEDURES, YOU SHOULD HAVE THE PRODUCT INSTALLED BY A PROFESSIONAL INSTALLER OR OTHER QUALIFIED PERSONNEL.

1 GET ORGANIZED...

Here is what you are looking at:

| Item # | Quantity | Description |
|--------|----------|-------------------------------|
| 1 | 1 | ROCK SLIDER - LEFT HAND SIDE |
| 2 | 1 | ROCK SLIDER - RIGHT HAND SIDE |
| 3 | 8 | M10 x 30 HEX BOLT |
| 4 | 20 | M10 FLAT WASHER |
| 5 | 8 | M10 NYLOC NUT |
| 6 | 4 | M10 x 40 FINE THREAD HEX BOLT |
| 7 | 4 | M10 SPRING WASHER |

you will need:
 15 mm Flat & Socket Wrench



(A) Familiarize yourself with the parts and then step away from the work area and read through these instructions from beginning to end. Take a moment as little prep now may save you a lot of time later.

2 INSTALL THE ROCK SLIDERS

- (A) Looking underneath your vehicle, locate the three mounting brackets (Front, middle, rear) on each side of the vehicle securing the running boards to the vehicle. Using a 15 mm wrench, loosen and remove the running boards from the vehicle.

- (B) Looking underneath the vehicle, locate the two threaded mounting points in the front left and right rear corners of the vehicle. The four M10 x 40 Fine Thread Hex Bolts (Item 6) supplied must be used for these mounting points.

Referring to the Exploded View on Page 2, lift the Rock Sliders (Items 1 & 2) into position and secure them to the vehicle using the Fasteners (Items 3 - 7) supplied.



Congratulations, you have completed your installation. Take a step back and admire your work. Good Job!

3 INSTALL OTHER VEHICLE AND RACK ACCESSORIES

- (A) Now's the time to visit your favorite Front Runner dealer in person or online.