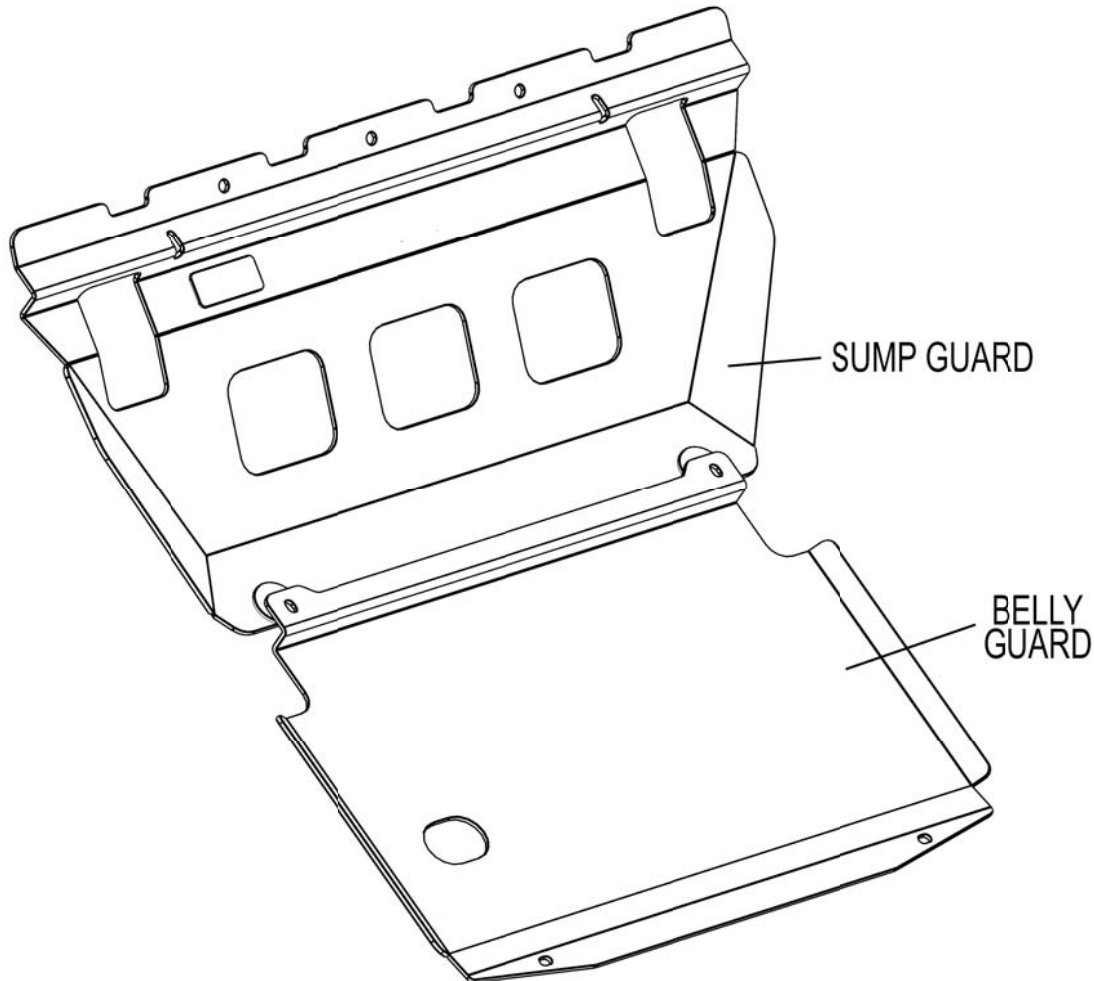




 **INSTALL TIME: 15 mins**

You will need:

- 12 mm Flat & Socket Wrench
- 13mm Flat & Socket Wrench
- 17 mm Flat & Socket Wrench
- 19 mm Flat & Socket Wrench
- A Friend

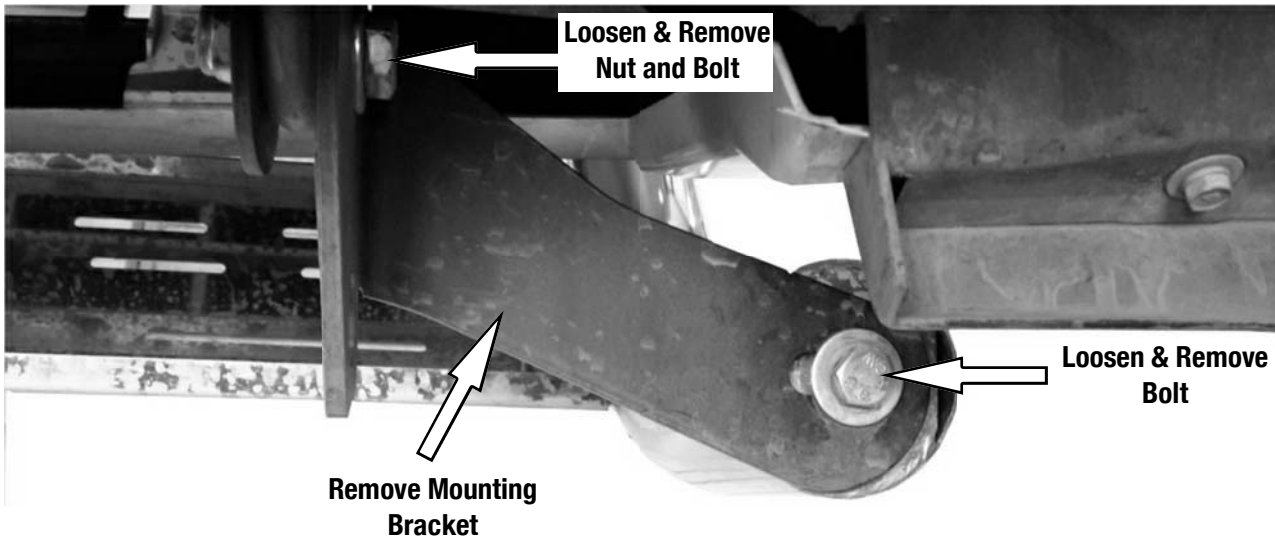


IMPORTANT WARNING!

IT IS CRITICAL THAT ALL FRONT RUNNER PRODUCTS BE PROPERLY AND SECURELY ASSEMBLED AND ATTACHED TO YOUR VEHICLE. IMPROPER ATTACHMENT COULD RESULT IN AN AUTOMOBILE ACCIDENT, AND COULD CAUSE SERIOUS BODILY INJURY OR DEATH TO YOU OR TO OTHERS. YOU ARE RESPONSIBLE FOR ASSEMBLING AND SECURING ALL FRONT RUNNER PRODUCTS TO YOUR VEHICLE, CHECKING THE ATTACHMENTS PRIOR TO USE, AND PERIODICALLY INSPECTING THE PRODUCTS FOR ADJUSTMENT, WEAR, AND DAMAGE. THEREFORE, YOU MUST READ AND UNDERSTAND ALL OF THE INSTRUCTIONS AND CAUTIONS SUPPLIED WITH YOUR FRONT RUNNER PRODUCT PRIOR TO INSTALLATION OR USE. IF YOU DO NOT UNDERSTAND ALL OF THE INSTRUCTIONS AND CAUTIONS, OR IF YOU HAVE NO MECHANICAL EXPERIENCE AND ARE NOT THOROUGHLY FAMILIAR WITH THE INSTALLATION PROCEDURES, YOU SHOULD HAVE THE PRODUCT INSTALLED BY A PROFESSIONAL INSTALLER OR OTHER QUALIFIED PERSONNEL.

1 FIT REPLACEMENT BELLY GUARDS

- (A) Looking underneath the front of the vehicle, loosen and remove the lower bull bar mounting brackets found either side of the vehicle. Keep the brackets and fasteners as they will be refitted at a later stage.

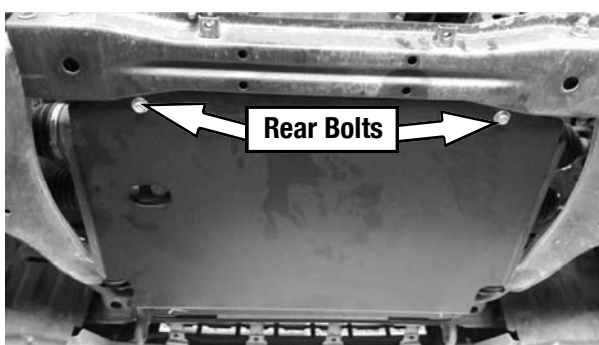


- (B) Loosen and remove the vehicle's original sump & belly guard. This is done by loosening the six securing bolts two in the front, two in the middle where the front and rear belly guards meet and two at the rear.

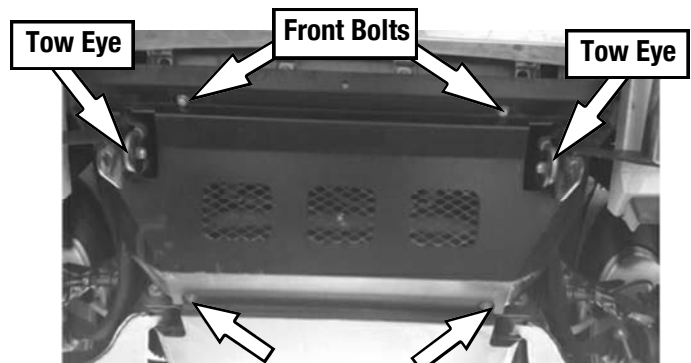
Keep the six bolts removed as they will be used to secure the replacement Belly Guards in place.

- (C) The replacement Sump & Belly Guards fit in the same position and manner as the original belly guards. Lift the rear Replacement Belly Guard into position and loosely fasten the two rear bolts into position. Lift the front Replacement Belly Guard over the two tow eyes and into position. Loosely fasten the two front bolts followed by the two middle bolts (where the two guards join). Once all six bolts are loosely in place and you are happy with the positioning of the two Belly Guards, tighten all the bolts and refit the two mounting brackets from Step 1A.

Congratulations, you have completed your installation. Take a step back and admire your work. Good Job!



Front of vehicle



Middle Bolts