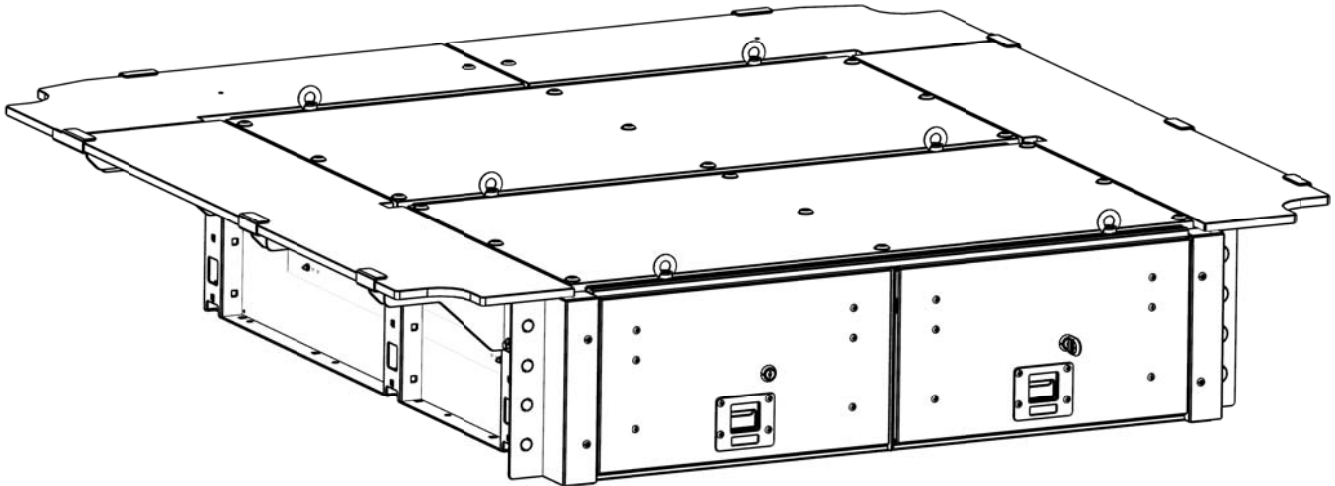


**INSTALL TIME: 1 Hour**

Thank you for purchasing a Front Runner Storage System.

This Storage System is made up of the following components:

1. A Drawer System - SSDR010
2. A Deck Support System - SSWS001
3. A Vehicle Specific Deck Set - SSDS101

Before you start, take a moment to familiarize yourself with these Fitting Instructions and all the components received. Depending on the vehicle not all components received will be used. Refer to Pages 2 & 3 for a list of all the components and quantities of required.

IMPORTANT WARNING!

IT IS CRITICAL THAT ALL FRONT RUNNER PRODUCTS BE PROPERLY AND SECURELY ASSEMBLED AND ATTACHED TO YOUR VEHICLE. IMPROPER ATTACHMENT COULD RESULT IN AN AUTOMOBILE ACCIDENT, AND COULD CAUSE SERIOUS BODILY INJURY OR DEATH TO YOU OR TO OTHERS. YOU ARE RESPONSIBLE FOR ASSEMBLING AND SECURING ALL FRONT RUNNER PRODUCTS TO YOUR VEHICLE, CHECKING THE ATTACHMENTS PRIOR TO USE, AND PERIODICALLY INSPECTING THE PRODUCTS FOR ADJUSTMENT, WEAR, AND DAMAGE. THEREFORE, YOU MUST READ AND UNDERSTAND ALL OF THE INSTRUCTIONS AND CAUTIONS SUPPLIED WITH YOUR FRONT RUNNER PRODUCT PRIOR TO INSTALLATION OR USE. IF YOU DO NOT UNDERSTAND ALL OF THE INSTRUCTIONS AND CAUTIONS, OR IF YOU HAVE NO MECHANICAL EXPERIENCE AND ARE NOT THOROUGHLY FAMILIAR WITH THE INSTALLATION PROCEDURES, YOU SHOULD HAVE THE PRODUCT INSTALLED BY A PROFESSIONAL INSTALLER OR OTHER QUALIFIED PERSONNEL.

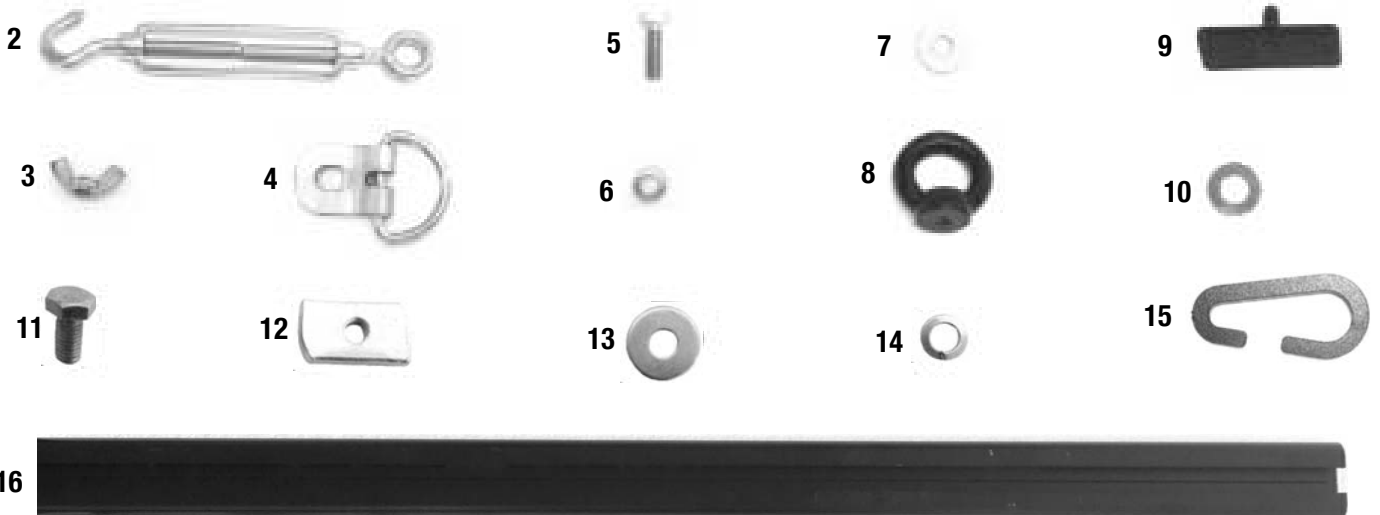
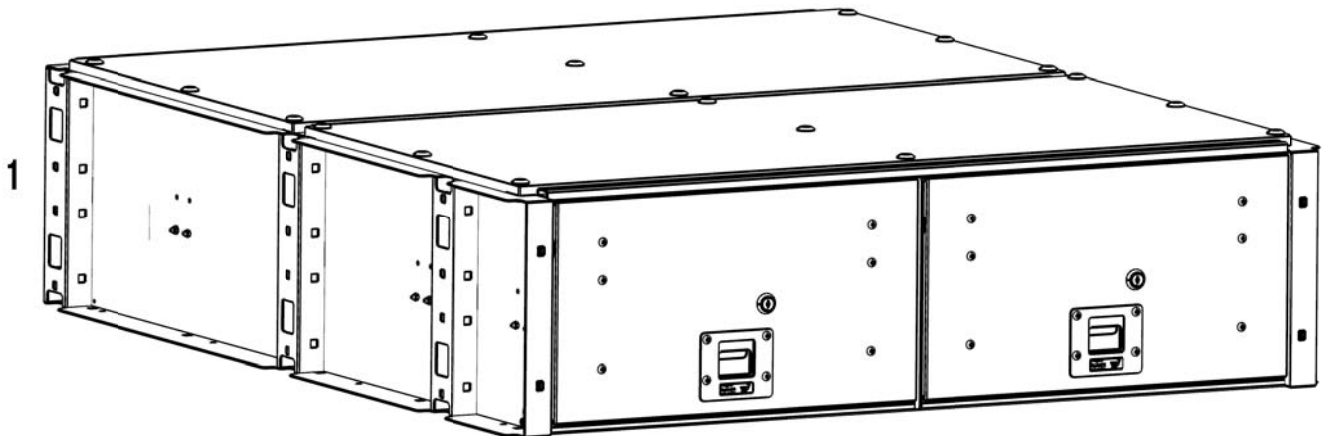
1 GET ORGANIZED...

Here is what you are looking at for SSSDR010:

Item #	Quantity	Description
1	1	TWIN DRAWER STORAGE SYSTEM
2	4	TURNBUCKLE
3	4	WING NUT
4	4	D-RING
5	4	M6 x 20 HEX BOLT
6	4	M6 SPRONG WASHER
7	4	M6 x 19 FLAT WASHER
8	6	EYE NUT
9	6	STUD PLATE
10	6	NYLON WASHER
11	2	M8 x 16 HEX BOLT
12	2	M8 CHANNEL NUT
13	2	M8 x 25 FLAT WASHER
14	2	M8 SPRING WASHER
15	4	60 mm C-HOOK
16	1	TRACK

You will need:

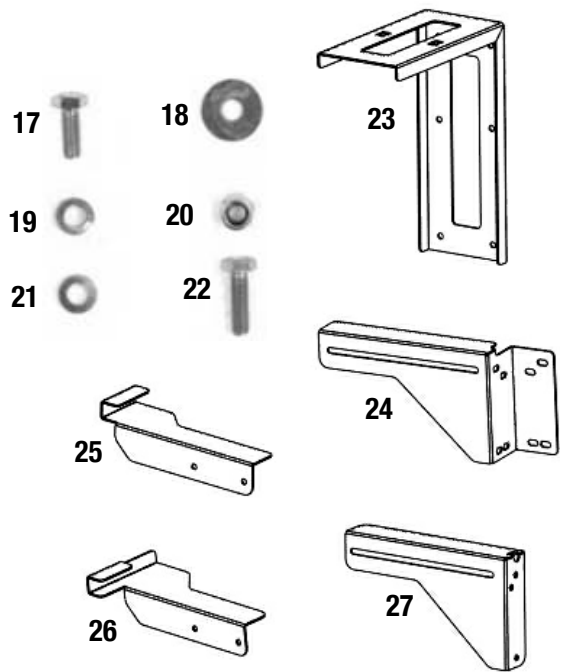
- 10 mm Flat & Socket Wrench
- 4 mm Hex Key
- a Friend
- Measuring Tape
- Drill Machine
- 6.5 mm Drill Bit
- Suitable Marker



1 GET ORGANIZED CONT...

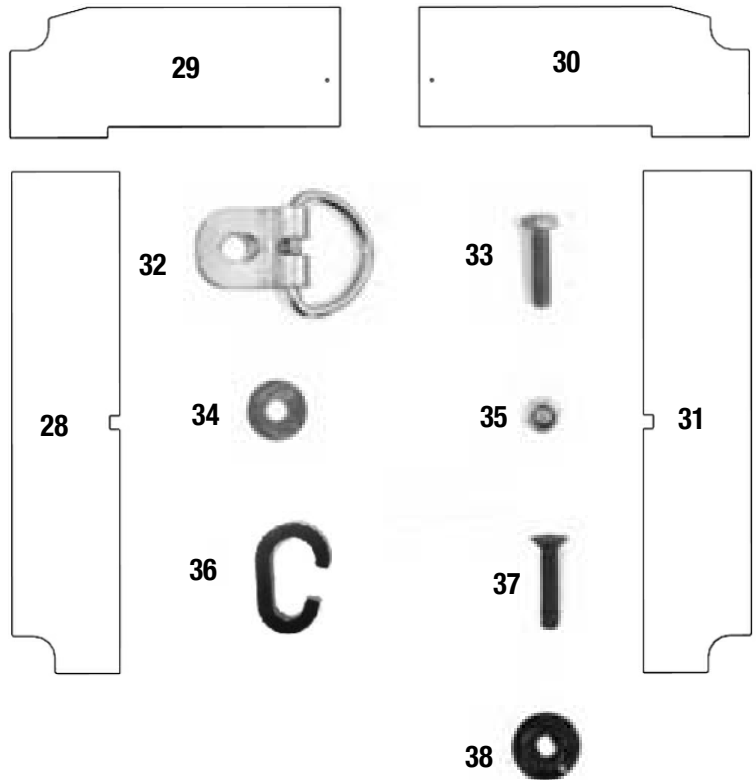
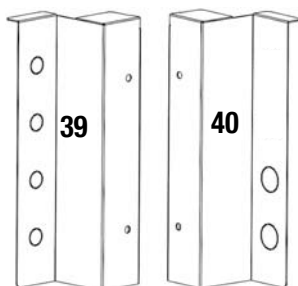
Here is what you are looking at for SSWS001:

Item #	Quantity	Description
17	16	M6 x 16 HEX BOLT
18	27	M6 x 19 FLAT WASHER
19	11	M6 SPRING WASHER
20	16	M6 NYLOC NUT
21	16	M6 FLAT WASHER
22	11	M6 x 20 HEX BOLT
23	1	REAR SUPPORT
24	4	CORNER WING - 2 LEFT, 2 RIGHT
25	6	WING SLIDER TYPE 1 - 3 LEFT, 3 RIGHT
26	2	WING SLIDER TYPE 2 - 1 LEFT, 1 RIGHT
27	4	SIDE WING - 2 LEFT, 2 RIGHT



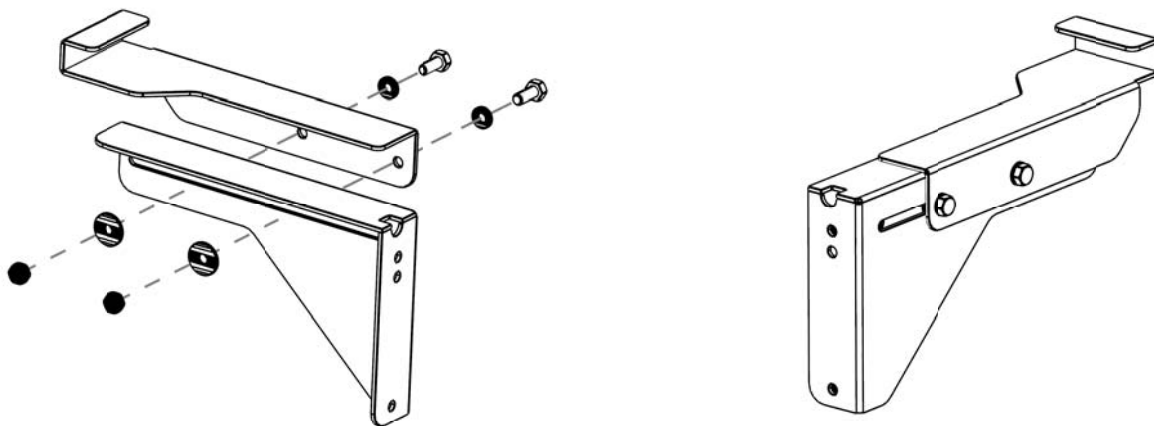
Here is what you are looking at for SSDS101:

Item #	Quantity	Description
28	1	FRONT LEFT DECK
29	1	REAR LEFT DECK
30	1	REAR RIGHT DECK
31	1	FRONT RIGHT DECK
32	4	D-RING
33	4	M6 x 25 HEX BOLT
34	8	M6 x 19 FLAT WASHER
35	4	M6 NYLOC NUT
36	4	37mm C-HOOK
37	2	M6 x 25 COUNTERSUNK BOLT
38	2	M6 FINISHING WASHER
39	1	LEFT HAND FRONT FACE
40	1	RIGHT HAND FRONT FACE
41	4	M6 x 16 BUTTON HEAD BOLT

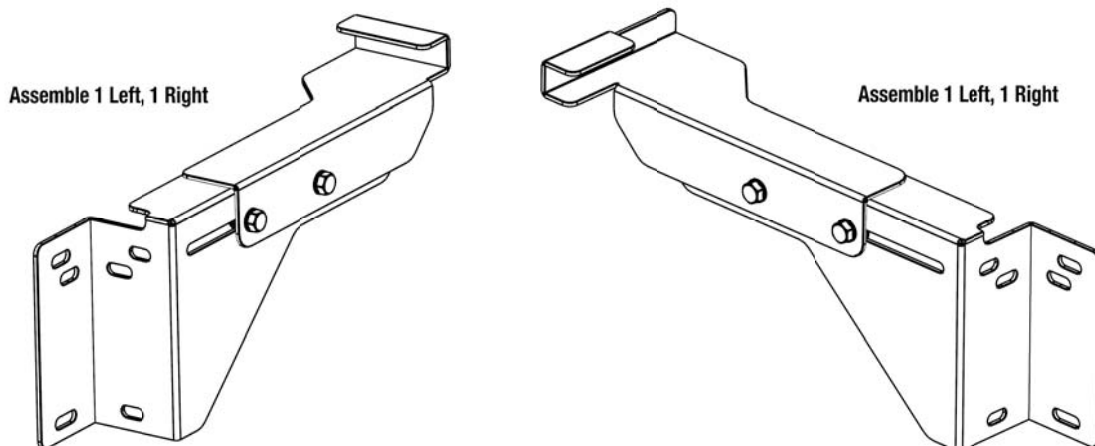


2 PREPARE FOR INSTALLATION

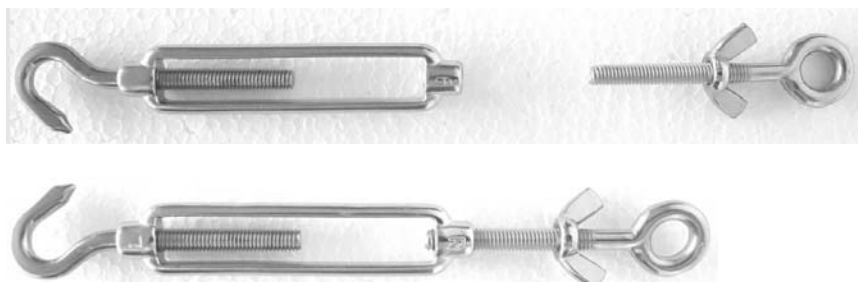
- (A) Loosely assemble the left and right hand Side Wing Sets (Items 25, 27) as shown below using two M6 x 16 Hex Bolts, two M6 Flat Washers, two M6 x 19 Flat Washers and two M6 Nyloc Nuts as shown (Items 17, 18, 20, 21) received with SSWS001.



- (B) Using Step 2A as a guide, loosely assemble the Corner Wings (Items 24, 25, 26) as shown.



- (C) Loosen the round end of the four Turn Buckles (Item 2) supplied with SSDR010. Screw a M6 Wing Nut (Item 3) onto each round end and reassemble the Turn Buckles as shown.

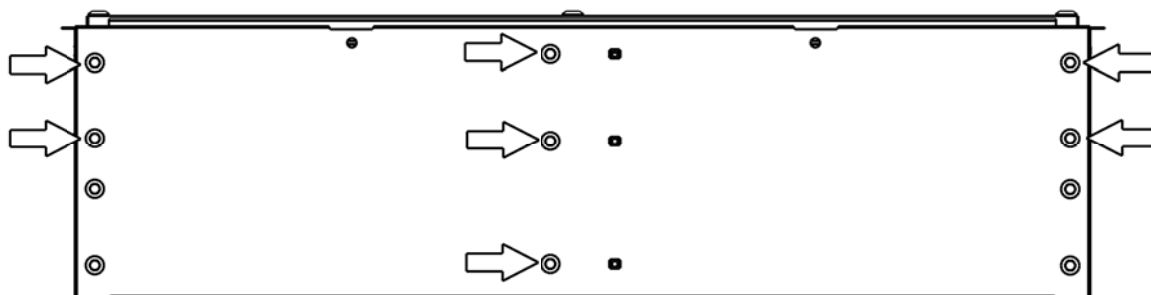


2 PREPARE FOR INSTALLATION CONT...

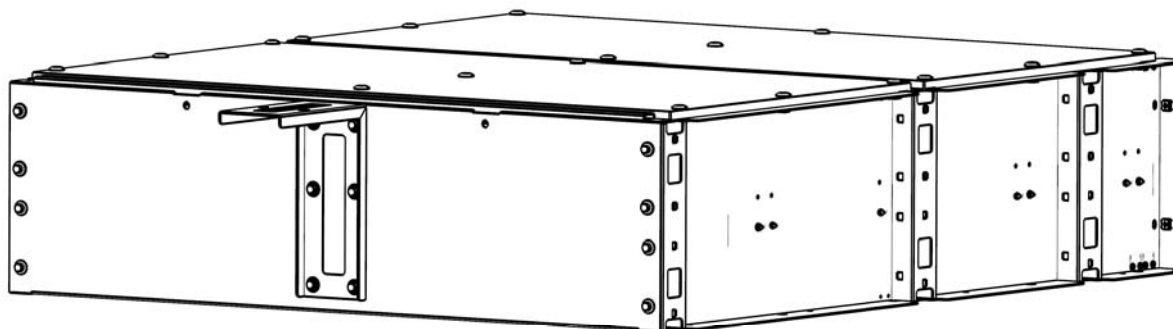
- (D) Slide a Channel Nut (Item 12) into each end of the Track (Item 16). Place the Track under the front of the Drawer System and line the Channel Nuts in the Track up with the mounting holes in the front corners of the Drawer System. Loosely secure the Track to the Drawer System using the two M8 x 16 Hex Bolts, two M8 x 25 Flat Washers and two M8 Springs Washers (Items 11, 13 14). Center the Track from left to right and fasten.



- (E) Looking at the rear of the Drawer System, remove the bolts as indicated by the arrows. Keep the bolts and washers safe as they will be used at a later stage.



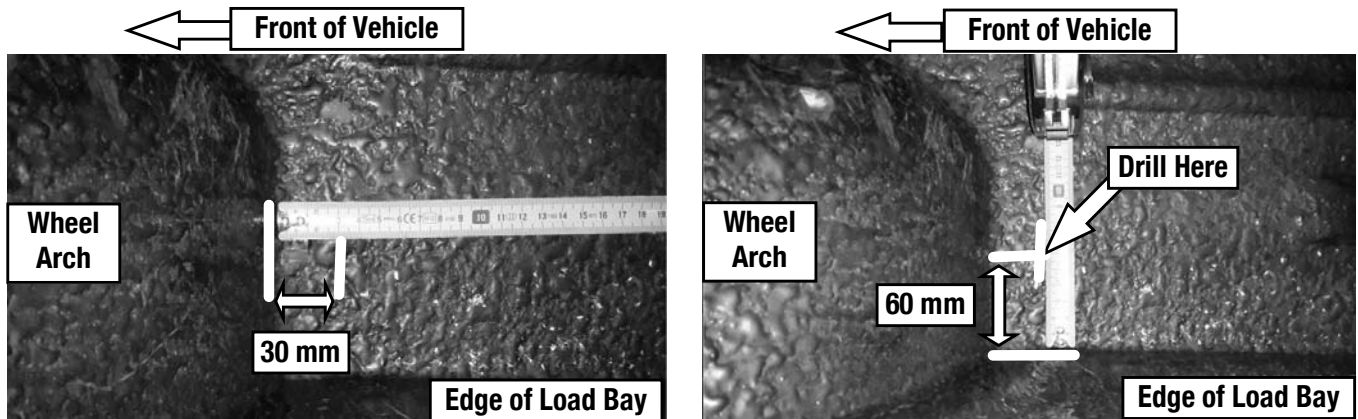
- (F) Using six M6 x 20 Hex Bolts, six M6 Spring Washers and six M6 x 19 Flat Washers removed in Step 2E, secure the Rear Support (Item 23) to the back of the Drawer System as shown.



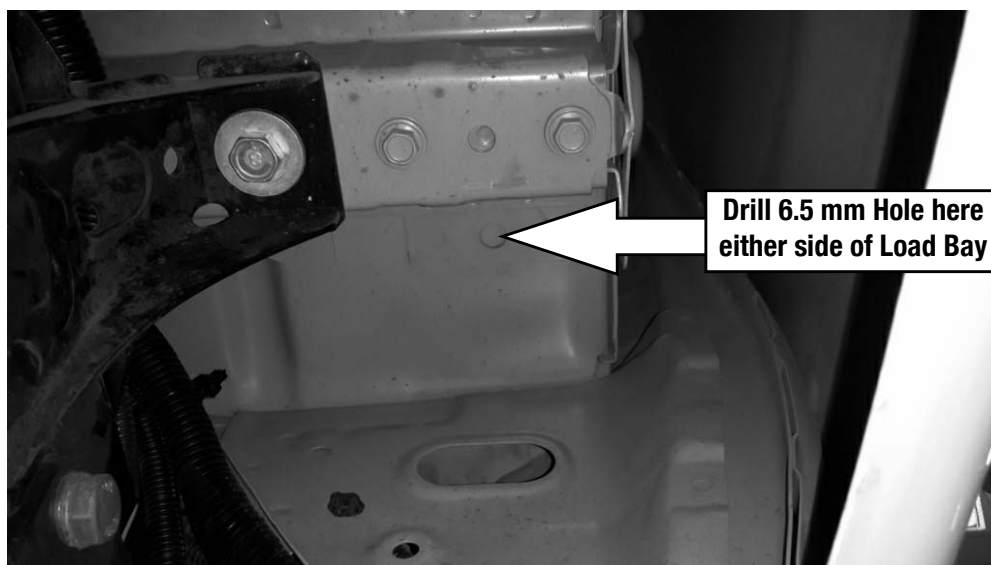
2 PREPARE FOR INSTALLATION CONT...

- (G) Working behind the left and right hand side wheel arches, mark the load bay 30 mm from the edge of the wheel arch and 60mm from the edge of the load bay as shown. Drill a 6.5 mm hole on each of your markings.

Left Hand Side of Load Bay Shown

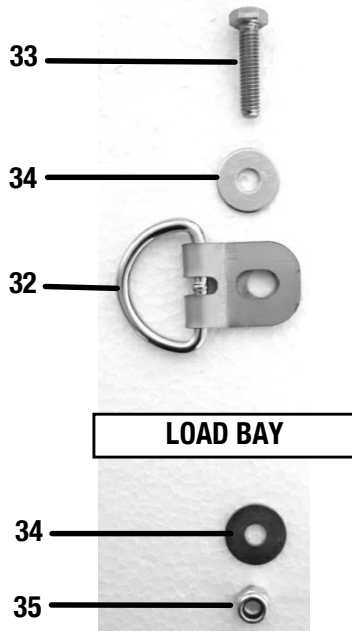


- (H) Looking underneath the left and right rear corners of the vehicle's load bay, locate the "pre - punched" hole as indicated by the arrow. Drill a 6.5 mm hole in the center of the "pre - punched " hole on either side of the load bay.



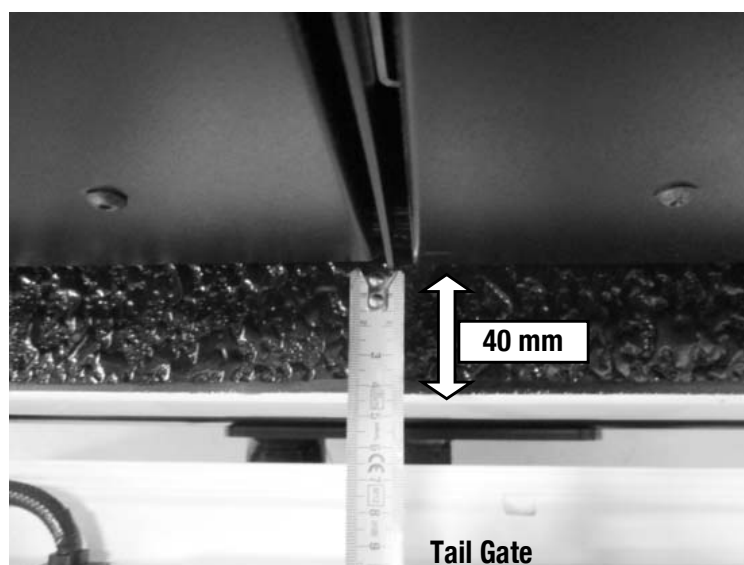
2 PREPARE FOR INSTALLATION CONT...

- (I) Using the components received with SSDS101, secure the four D-ring's (Item 32) to the inside of the Load Bay. You will be bolting through each of the holes drilled in Steps 2A & 2B using a M6 x 25 Hex Bolt, two M6 x 19 Flat Washers and a M6 Nyloc Nut per D-ring (Items 33, 34, 35) as shown.



3 INSTALL DRAWER SYSTEM

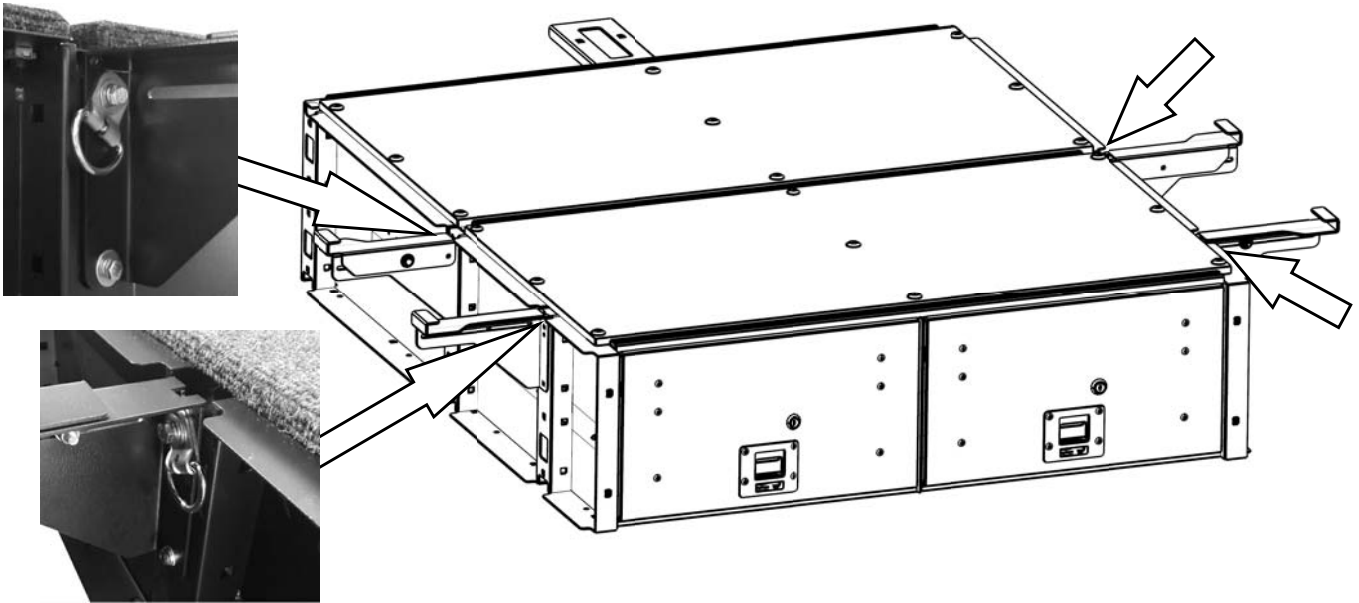
- (A) Lift the Drawer System (Item 1) into the vehicle's load bay and position it 40 mm in from the front of the load bay and center it from left to right.



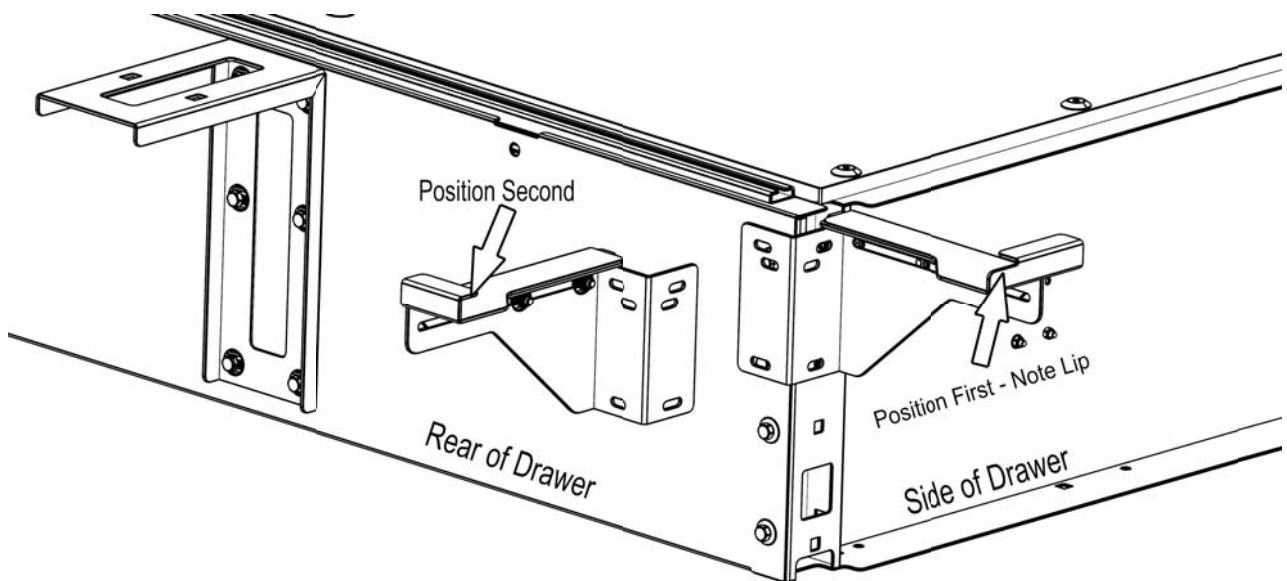
3 INSTALL DRAWER SYSTEM CONT...

- (B) Secure the Side Wing Assemblies from Step 2A to the Drawer System using six M6 x 20 Hex Bolts, six M6 Spring Washers and six M6 Flat Washers (Items 17, 18, 19) received with SSW0001.

When Securing the TOP mounting of the FRONT and MIDDLE Wing Assemblies, loosely secure a D-ring (Item 4) to the Drawer and Wing Assembly using a M6 x 20 Hex Bolt, M6 Spring Washer and M6 x 19 Flat Washer (Item 5, 6, 7) received with SSDR010 as shown.

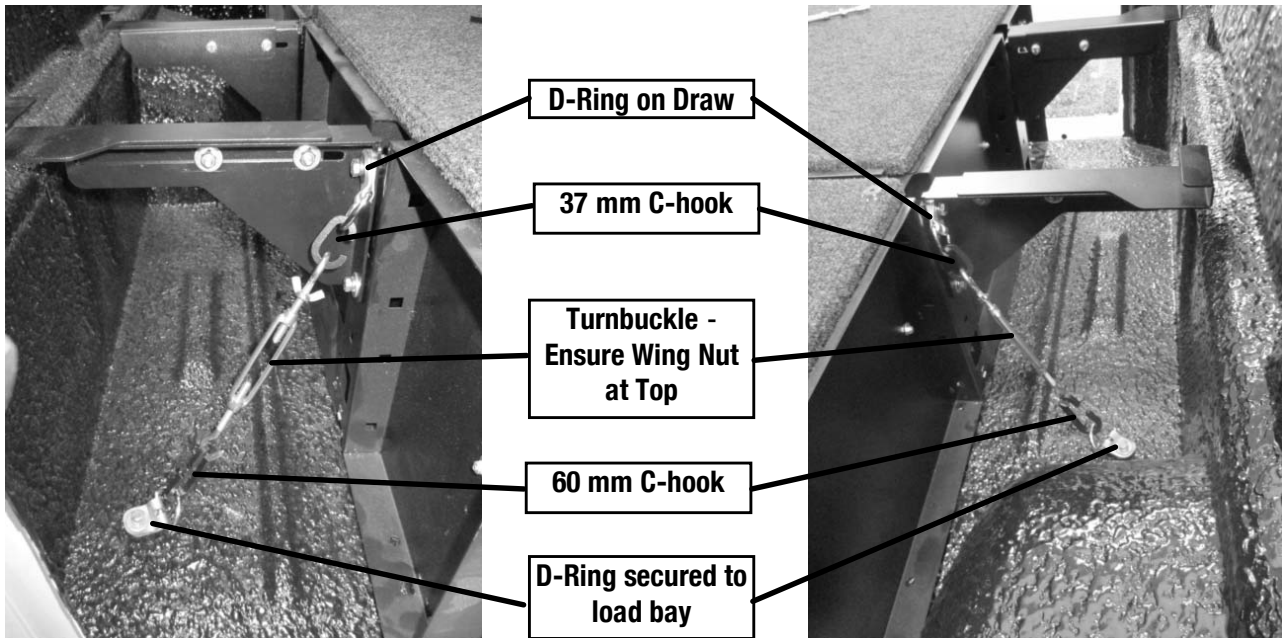


- (C) Position the Corner Wing Assemblies from Step 2B over the rear corners of the Drawer as shown. Secure the Assemblies to the Drawer using the remaining M6 x 20 Hex Bolts, M6 x 19 Flat Washers and M6 Spring Washers.



3 INSTALL DRAWER SYSTEM CONT...

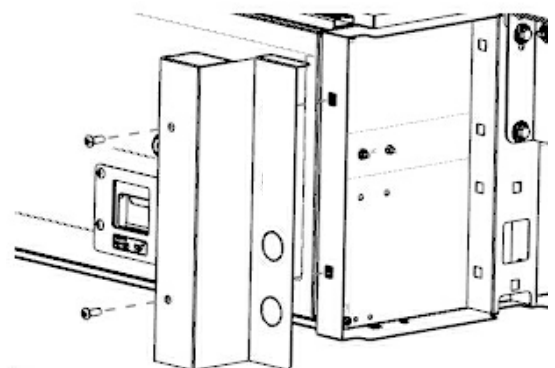
- (D) Secure the front and rear of the Drawer System to the vehicle using the C-hooks and Turnbuckles (Items 2, 15, 35) as shown below. Ensure Drawer remains centered, left to right, and 40 mm in from the edge of the load bay (Refer to Step 3A).



- (E) Fit the Side and Rear Decks (Items 28, 29, 30, 31) into position, by "clipping" the outer edge of the Decks into the Wing Sliders (Items 27 & 28) and pushing the Decks towards the outside of the vehicle, thereby adjusting the Slider to the correct length. Once you are happy with the length of the Slider, carefully remove the Decks taking care not to move the Sliders and fasten the two bolts on each Slider, locking it into position.

- (F) Secure the center of the Rear Decks to the Rear Support (Item 23) using the two M6 x 25 Countersunk Bolts and two M6 Finishing Washers (Items 37 & 38).

- (G) Assemble the two Front Faces (Items 39, 40) to the front of the Drawer System using the four M6 x16 Button Head Bolts (Item 41) supplied.



3 INSTALL DRAWER SYSTEM CONT...

- (**H**) Congratulations, you have completed your installation. Take a step back and admire your work. Good Job!



4 INSTALL OTHER VEHICLE AND RACK ACCESSORIES

- (**A**) Now's the time to visit your favorite Front Runner dealer in person or online.